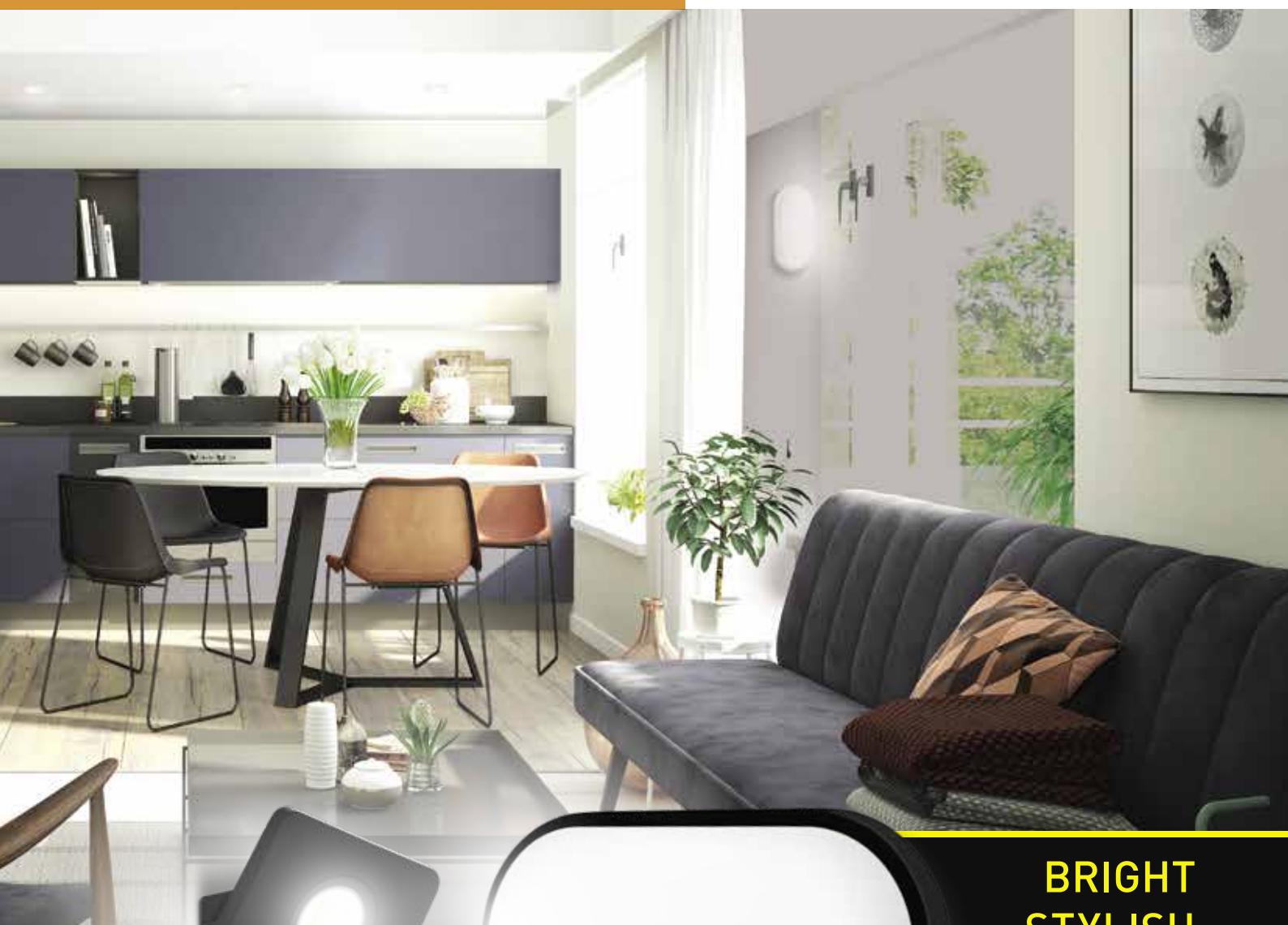




A brand of  legrand®

LED LIGHTING



**BRIGHT
STYLISH
EFFICIENT**

2021/2022



CONTENTS



LED LIGHTING EXPLAINED	4
LED LIGHTING FIXTURES	6
INDOOR	
DOWNLIGHTS	8
PANEL LIGHTS	26
OYSTER LIGHTS	30
UP/DOWN LIGHTS	32
BATTENS	34
OUTDOOR	
UP/DOWN LIGHTS	38
ADJUSTABLE LIGHTS	42
BUNKER LIGHTS	44
FLOODLIGHTS	52
WORKLIGHTS	68
DIMMERS AND LED COMPATIBILITY	70
DOWNLIGHT ACCESSORIES	72
LIGHTING SENSORS	72
INDEX OF PROTECTION	73
LED LIGHTING GLOBES	74
LED GARDEN LIGHTING	86
BENEFITS	88
SPOTLIGHTS	90
POND SPOTLIGHTS	94
BOLLARDS	96
WALL & STEP LIGHTS	98
DECK LIGHTS	100
TRANSFORMERS	102
CABLE & TRANSFORMER CONFIGURATION CHART	104
CABLES	106
ACCESSORIES	107



LED LIGHTING EXPLAINED

LIGHT COLOUR

Expressed in Degrees Kelvin (K), light colours are the key to determining the mood of a room.

 <p>WARM WHITE</p>	DEGREES	2700-3000K
	DESCRIPTION	SOFTER, WARMER LIGHT Comparable to traditional incandescent lighting. Preferred in cooler climates.
	ROOM	Bedroom, living room, bathroom, kitchen
 <p>COOL WHITE</p>	DEGREES	4000K
	DESCRIPTION	NEUTRAL LIGHT Used for task lighting and preferred in warmer, tropical climates
	ROOM	Laundry, garage, study, bathroom, kitchen

AVERAGE LAMP LIFE

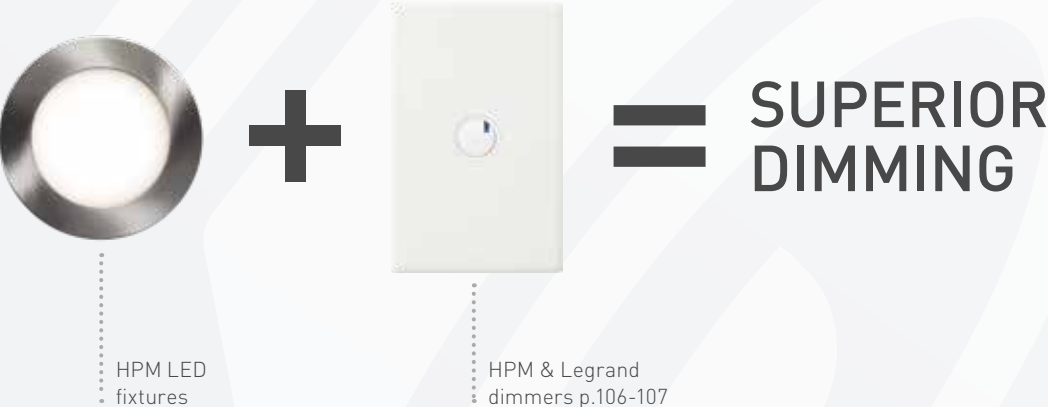
 <p>LED 30,000 HOURS</p>	 <p>COMPACT FLUORESCENT 10,000 HOURS</p>	 <p>INCANDESCENT 1,000 HOURS</p>
--	---	--

DURABILITY: LEDs are very long-lasting compared to other lighting technologies, with an average 30,000 hours life expectancy. We use quality components which make our lamps even more durable, being laboratory tested and assessed at 30,000 hours life expectancy. That represents approximately 20 years based on 3 to 4 hours usage per day.

DIMMING COMPATIBILITY

Critical to a successful installation is an understanding of LED compatibility with dimmers.

HPM is one of the only major brands on the market to deliver a full solution from dimmers to drivers and LED fixtures. Choose the winning combination of HPM LED fixtures and HPM or Legrand dimmers to ensure superior performance – including smooth dimming with no flickering, reliability and long life.



LIGHT PERFORMANCE

LIGHT OUTPUT	INCANDESCENT	HALOGEN	CFL	LED
220 lm	25W	18W	5-7W	3W
420 lm	40W	28W	7-8W	4-5W
720 lm	60W	42W	11-12W	6-8W
930 lm	75W	52W	13-18W	9-13W
1300 lm	100W	70W	18-23W	16-20W

LUMINOUS EFFICACY (lm/W)

Picking a lamp fixture based only on wattage or physical size could result in the wrong choice: Wattage (measured in W) represents the power consumed by the luminaire. The actual output of a lamp is measured in lumens (lm): the more lumens, the more light emitted by the luminaire. A smart criteria for determining the efficiency of a light fixture is its lumens/Watt ratio, which represents how much light the fixture delivers versus what it consumes to perform. This value is called luminous efficacy, and proves LED lights are more efficient than other light technologies.

COLOUR RENDERING INDEX (CRI)

CRI measures how well a lamp makes colours appear. CRI scores light sources from 1 – 100: a high CRI means that the eye can pick up slight variations in colour, making details in an interior appear sharper and more vibrant. For outstanding colour rendering, opt for our Dalia series which boasts a very high 92 index.

Our downlights range from 80 to 92, to enhance skin tones, hues and textures in rooms.

BEAM ANGLE

The light effect from a luminaire is determined by its beam angle, that is the shape and direction of light generated by the lamp. Most conventional fixtures deliver a focused light distribution at 35-60° beam angle, but LED technology can go well above those values, while still maintaining a fair pool of light.

Our lights deliver beam angles ranging from 80 to 120° to ensure a beautiful light is spread throughout a room.

OUR QUALITY PROMISE



DIMMING COMPATIBILITY

Many of our lights are capable of being dimmed effectively. For optimum dimming performance and to reduce flickering, use HPM or Legrand dimmers. See pages 106-107 for more details.



INSULATION RATING

All recessed luminaires included in this brochure have an insulation rating of IC, IC-F, IC-4, CA80 and CA90.

This means insulation may abut or cover the LED luminaire.



NATA ACCREDITED LABORATORY

To ensure the highest possible quality assurance standards all HPM lighting fixtures and lamps are tested in our NATA accredited laboratory in Sydney.

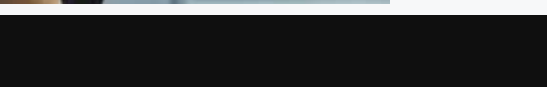


IP RATING

All our products are assured against insects and moisture, with IP ratings ranging from IP42 to IP65. See IP chart on page 109 for more information.



LED LIGHTING FIXTURES



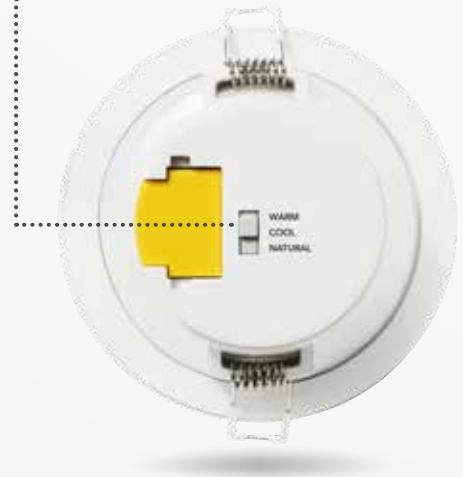
DLI TRI-COLOUR LED DOWNLIGHT (7W - 10W)

The functional design and classic finish of the DLI adds a touch of contemporary lighting. The DLI is ideal for all rooms in the house. At only 7W to 10W the DLI with colour changing switch delivers one product with three light colours - Warm White, Cool White and Natural White.



TIP

Light Colour Selector



DLI90 SERIES



DLI110 SERIES

UP TO
1100
LUMENS

IC-4
INSULATION RATING

IC-F
ABUTTED &
COVERED

IP44
WEATHERPROOF

Dimmable
built-in
driver

3 YEAR
WARRANTY

Power	7W	7W	10W	
Lumen output	90mm	110mm	150mm	
	Warm White	750 lm	690 lm	1000 lm
	Cool White	840 lm	740 lm	1100 lm
Natural White	840 lm	690 lm	1000 lm	
Efficacy	90mm	110mm	150mm	
	Warm White	107 lm/W	98 lm/W	100 lm/W
	Cool White	120 lm/W	104 lm/W	110 lm/W
Natural White	120 lm/W	98 lm/W	100 lm/W	
Colour temperature	Warm White		3,000K	
	Cool White		4,000K	
	Natural White		5,000K	
CRI	80+			
Insulation rating	IC-4 and IC-F			
Dimming	Trailing edge dimmers			
Lifespan	35,000 h			
Package contents	7W or 10W dimmable downlight with integrated driver. Supplied with flex and plug			

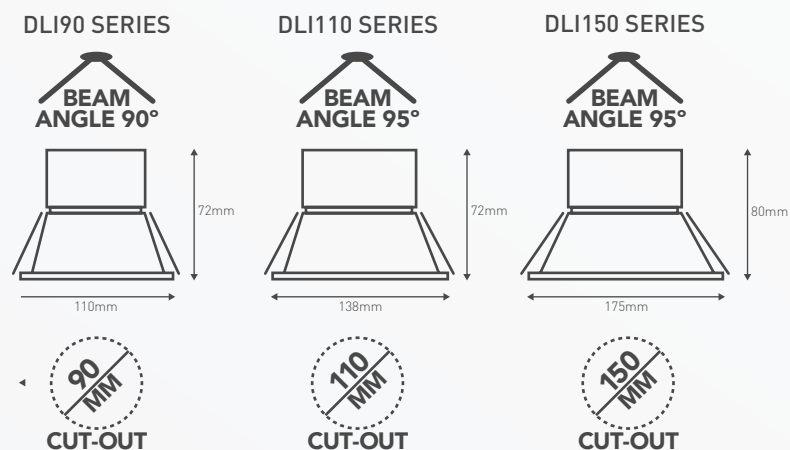
Product codes	Ø90mm cut-out	White Fascia, Warm White, Cool White and Natural White Light	DLI90TRIWE
	Ø90mm cut-out	Brushed Chrome Fascia, Warm White, Cool White and Natural White Light	DLI90TRIBC
	Ø110mm cut-out	White Fascia, Warm White, Cool White and Natural White Light	DLI110TRIWE
	Ø150mm cut-out	White Fascia, Warm White, Cool White and Natural White Light	DLI150TRIWE

TIP

Recessed diffuser reduces glare



DLI150 SERIES



NEW

DLI SMART DLI DOWNLIGHT 7W

Introducing the new Smart DLI downlight by HPM. The HPM Connect app allows you to control it by smart phone or remote adding convenience to your home.


Main applications

Living areas, bedrooms, bathrooms and undercover outdoor areas





[sold separately]


Easy to use or configure
(no Wi-Fi required)


Change colour temperature


Set timers


Dimmable via app or remote

 or 
Control and group up to 100 lights


Easily create scenes



TIP

Easy control from your smart phone



Download HPM CONNECT app



Learn more



MESH

Technology

Power	7W
Lumen output	90mm Warm White 630 lm to Natural White 680 lm
Colour temperature	Warm White 3,000K to Natural White 5,000K
Max. no of devices per mesh	128 max
Range for Individual lamp	20m (indoors) This range may be reduced by obstruction like a brick/concrete wall.
CRI	80+
Insulation rating	IC-4
Dimming	HPM Connect App and Remote Control
Lifespan	35,000 h
Package contents	7W smart downlight with integrated driver. Supplied with flex and plug
Product codes	Ø90mm cut-out White Fascia Warm White Light Natural Light DLI90BTWE



DLI90 SERIES



REMOTE CONTROL

Features	<ul style="list-style-type: none"> • Max 100 Downlights per remote • 2 x AAA Batteries (not included) • Wall fixing bracket included
Functions	<ul style="list-style-type: none"> • Switch ON/OFF • Dimming (20% increments and 20% minimum)
Product codes	REMOTEBTDL (remote sold separately)

DLI TILT DOWNLIGHT 7W

A same classic and contemporary downlight, but with an adjustable head. The DLI TILT Downlight is dimmable, available in a warm and cool white, and is perfect for enhancing walls or feature items in the home by simply tilting the downlight towards the desired object.



Main applications

Living areas, bedrooms, bathrooms,
& undercover outdoor areas



TIP

Adjustable head - 30° angle
Ideal for sloped ceilings

DLI90 SERIES

Power	7W	
Lumen output		90mm
	Warm White	720 lm
	Cool White	760 lm
Efficacy		90mm
	Warm White	102 lm/W
	Cool White	108 lm/W
Colour temperature	Warm White	3,000K
	Cool White	4,000K
CRI	80+	
Insulation rating	IC	
Dimming	Trailing edge dimmers	
Lifespan	35,000 h	
Package contents	7W dimmable downlight with integrated driver. Supplied with flex and plug	
Product codes	Ø90mm cut-out	
	White Fascia	
	Warm White Light	DLI903KTILTWE
	Cool White Light	DLI904KTILTWE

UP TO
760
LUMENS

INSULATION RATING

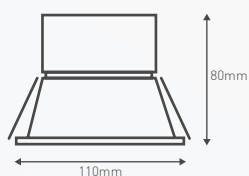
IC
RATED &
COVERED

IP44
WEATHERPROOF

Dimmable
built-in
driver

3 YEAR
WARRANTY

DLI90 SERIES



DLI DOWNLIGHT SERIES (5W TO 7W)

The functional design and classic finish of the DLI adds a touch of contemporary lighting. The DLI is ideal for all rooms in the house. At only 5W to 7W the DLI delivers maximum brightness with limited power consumption.



Main applications

Living areas, bedrooms, bathrooms,
& undercover outdoor areas



DLI70 SERIES



DLI90 SERIES

UP TO
820
LUMENS



INSULATION RATING

IC-F
ABUTTED &
COVERED

IP44
WEATHERPROOF

Dimmable
built-in
driver

3 YEAR
WARRANTY



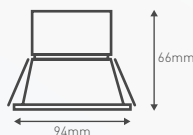
Power	5W	7W	7W	
Lumen output	70mm	90mm	125mm	
	Warm White	505 lm	700 lm	750 lm
	Cool White	515 lm	820 lm	820 lm
Efficacy	70mm	90mm	125mm	
	Warm White	101 lm/W	100 lm/W	107 lm/W
	Cool White	103 lm/W	117 lm/W	125 lm/W
Colour temperature	Warm White		3,000K	
	Cool White		4,000K	
CRI	80+			
Insulation rating	IC-4 and IC-F			
Dimming	Trailing edge dimmers			
Lifespan	35,000 h			
Package contents	5W to 7W dimmable downlight with integrated driver. Supplied with flex and plug			

Product codes	Ø70mm cut-out	
	White Fascia	
	Warm White Light	DLI7001
	Cool White Light	DLI7002
	Black Fascia	
	Warm White Light	DLI7003BL
	Cool White Light	DLI7004BL
	Ø90mm cut-out	
	White Fascia	
	Warm White Light	DLI9001
	Cool White Light	DLI9002
	Brushed Chrome Fascia	
	Cool White Light	DLI9004
	Ø125mm cut-out	
	White Fascia	
	Warm White Light	DLI12501
	Cool White Light	DLI12502

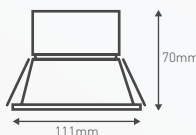


DLI125 SERIES

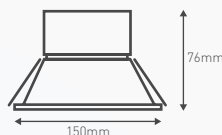
DLI70 SERIES



DLI90 SERIES



DLI125 SERIES



AZA+ DOWNLIGHT SERIES (8W)

The AZA+ sits flush with the ceiling blending seamlessly with any décor and provides bright and energy saving illumination.



Main applications

Living areas, bedrooms, bathrooms,
& undercover outdoor areas

.....

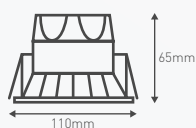
TIP

At only 65mm depth, AZA+
downlights will fit in most
ceiling cavities

.....



Power	8W	
Lumen output	Warm White	750 lm
	Cool White	820 lm
Efficacy	Warm White	93 lm/W
	Cool White	102 lm/W
Colour temperature	Warm White	3,000K
	Cool White	4,000K
CRI	80+	
Insulation rating	IC-4 and IC-F	
Dimming	Trailing edge dimmers	
Lifespan	35,000 h	
Package contents	8W dimmable downlight with integrated driver. Supplied with flex and plug	
Product codes	White Fascia	
	Warm White Light	LDL043KWE
	White Fascia	
	Cool White Light	LDL044KWE
	Polished Silver Fascia	
	Warm White Light	LDL043KPS



FLUSH FACE TRI COLOUR DOWNLIGHT SERIES

This downlight, sits flush with the ceiling blending seamlessly with any decor and provides bright and energy saving illumination. At only 7W this downlight features a colour changing switch, one product with three light colours - Warm White, Cool White and Natural White.



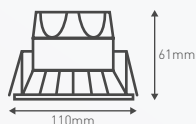
Main applications

Living areas, bedrooms, bathrooms,
& undercover outdoor areas

90mm
CUT-OUT



Power	7W	
Lumen output	Warm White	750 lm
	Cool White	850 lm
	Natural White	850 lm
Efficacy	Warm White	105 lm/W
	Cool White	120 lm/W
	Natural White	120 lm/W
Colour temperature	Warm White	3,000K
	Cool White	4,000K
	Natural White	5,000K
CRI	80+	
Insulation rating	IC-4 and IC-F	
Dimming	Trailing edge dimmers	
Lifespan	35,000 h	
Package contents	7W dimmable downlight with integrated driver. Supplied with flex and plug.	
Product codes	White Fascia Warm Light Cool Light Natural Light	LDL90TRIWE
	Polished Silver Fascia Warm Light Cool Light Natural Light	LDL90TRIPS



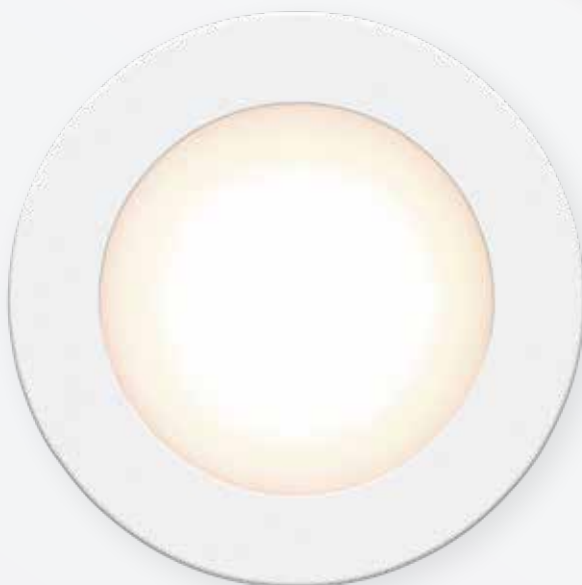
AZALEA DOWNLIGHT SERIES (11W)

A marriage of style and function, our Azalea effortlessly achieves optimum lighting performance with impressive economy. With a 48mm depth, it is brilliant for tight ceiling cavities and multi-floor dwellings.

Main applications

Living areas, bedrooms, bathrooms,
& undercover outdoor areas

.....



UP TO
890
LUMENS

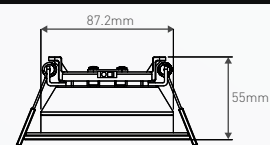
INSULATION RATING

IC-F
ABUTTED &
COVERED

IP44
WEATHERPROOF

6 YEAR
WARRANTY

Power	11W	
Lumen output	Warm White	880 lm
	Cool White	890 lm
Efficacy	Warm White	98 lm/W
	Cool White	99 lm/W
Colour temperature	Warm White	3,000K
	Cool White	4,000K
CRI	80+	
Insulation rating	IC-4 and IC-F	
Dimming	Trailing & leading edge, 2 & 3 wire	
Lifespan	30,000 h	
Construction	Aluminium	
Package contents	Dimmable SELV external LED driver and 11W LED sealed fixture. Supplied with flex and plug	
Product codes	White Fascia Warm White Light	LDL013KWE
	White Fascia Cool White Light	LDL014KWE
	Aluminium Fascia Cool White Light	LDL014KPS



DLS

DOWNLIGHT SERIES (11W)

Behind the stylish façade, the DLS features a frosted recessed diffuser to reduce glare and ensure a perfect light spread across any room.



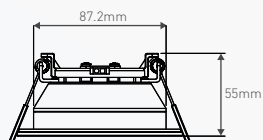
Main applications

Living areas, bedrooms, bathrooms,
& undercover outdoor areas

TIP

Recessed diffuser reduces glare

Power	11W	
Lumen output	Warm White	950 lm
	Cool White	950 lm
Efficacy	Warm White	85 lm/W
	Cool White	85 lm/W
Colour temperature	Warm White	3,000K
	Cool White	4,000K
CRI	80+	
Insulation rating	IC-4 and IC-F	
Dimming	Trailing edge dimmers	
Lifespan	30,000 h	
Package contents	Dimmable SELV external LED driver with quick-connect plug and 10W LED sealed fixture. Supplied with flex and plug	
Product codes	White Fascia	
	Warm White Light	DLS9001
	White Fascia	
	Cool White Light	DLS9002



UP TO
950
LUMENS

IC-4
INSULATION RATING

IC-F
ABUTTED &
COVERED

IP44
WEATHERPROOF

**6 YEAR
WARRANTY**



MR16

RETROFIT DOWNLIGHT SERIES (7W TO 9W)

This patented energy efficient MR16 retrofit LED downlight has been designed as a DIY upgrade to existing MR16 halogen downlights. Compatible with all leading brands of transformers on the market, choose this simple and safe solution for great light output and energy saving.

Main applications

DIY Replacement of existing halogen MR16 downlights.

TIP

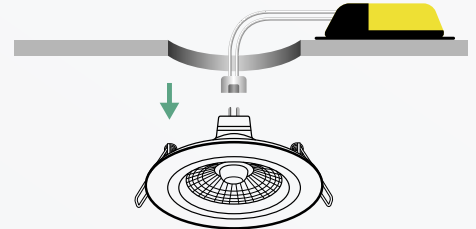
Compatible with all leading brands of transformers on the market



Install it yourself in **3** easy steps.

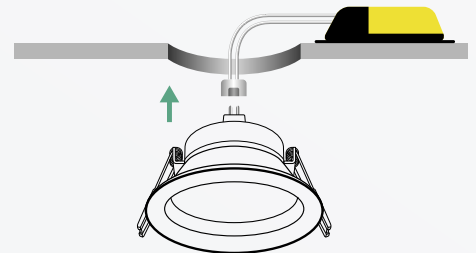
1. Remove.

Unplug and remove existing MR16 halogen downlight.



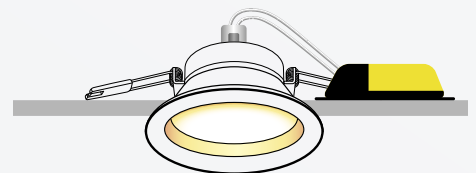
2. Replace.

Plug-in your new HPM MR16 LED downlight and install back into ceiling.



3. Ready.

Enjoy great light output, sleek design and up to 80% energy saving.



Power		7W	9W
Lumen output	Warm White	550 lm	710 lm
	Cool White	590 lm	770 lm
Efficacy	Warm White	78 lm/W	78 lm/W
	Cool White	84 lm/W	85 lm/W
Colour temperature	Warm White		3,000K
	Cool White		4,000K
Insulation rating	Ø90mm 9W IC abutted & covered Ø70mm 7W CA80 & CA90 abutted only		
CRI	80+		
Lifespan	35,000 h		
Package contents	MR16 LED downlight		
Product codes	Ø70mm cut-out 7W		
	White Fascia		
	Warm White Light	LMR16703KWE	
	Cool White Light	LMR16704KWE	
Product codes	Ø90mm cut-out 9W		
	White Fascia		
	Warm White Light	LMR16903KWE	
	Cool White Light	LMR16904KWE	

UP TO
770
LUMENS

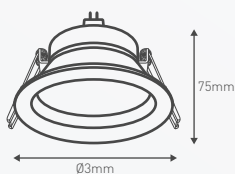
D.I.Y.
INSTALL IT
YOURSELF

IP44
WEATHERPROOF

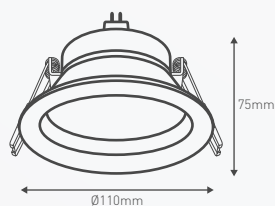
3 YEAR
WARRANTY



DLI70 SERIES



DLI90 SERIES



LENKA

FRAMELESS PANEL LIGHT (12W)

The subtle sophistication of our LENKA LED Panel Light will imbue your space with a stunning ambient light, whilst sitting discretely on your ceiling. With LENKA, the statement is in the light's sleek and simple design. It's beauty lies in the light's simplicity, completely focusing on the illumination it brings to your space.



ROUND - LPRD023KWE

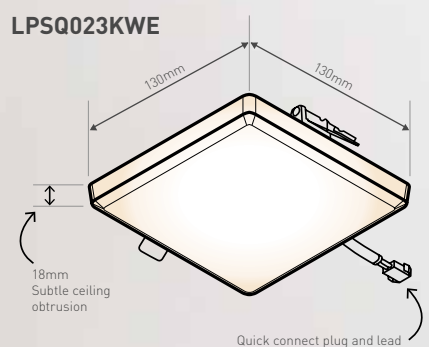


SQUARE - LPSQ023KWE

.....
Main applications

Living areas, bedrooms, bathrooms
and undercover outdoor areas

Power	12W	
Lumen output	Warm White	1,150 lm
Efficacy	Warm White	95 lm/W
Colour temperature	Warm White	3,000K
CRI	80+	
Dimming	Yes - with trailing edge dimmer only	
Lifespan	30,000 h	
Insulation rating	IC-F and IC-4	
Package contents	12W Frameless panel light with quick connect lead and SELV external LED driver. Supplied with plug and lead	
Product code	White Finish Warm White Light	LPRD023KWE
	White Finish Warm White Light	LPSQ023KWE



LUNA

PANEL LIGHT (18W)

Offering the ultimate in discreet lighting, the Luna's slim depth allows it to fit effortlessly into tight ceiling cavities. All the illumination of an oyster light, none of the obtrusiveness.



.....

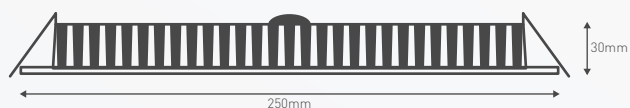
Main applications

Living areas, bedrooms, bathrooms, and undercover outdoor areas.
Ideal replacement for oyster lights

Power	18W	
Lumen output	Warm White	1,440 lm
	Cool White	1,500l m
Efficacy	Warm White	80 lm/W
	Cool White	83 lm/W
Colour temperature	Warm White	3,000K
	Cool White	4,000K
CRI	80+	
Insulation rating	IC	
Dimming	Trailing & leading edge, 2 & 3 wire	
Lifespan	30,000 h	
Construction	Aluminium	
Package contents	Dimmable SELV external LED driver and 18W LED sealed fixture. Supplied with flex and plug	
Product code	White Fascia	
	Warm White Light	LPA013KWE
	White Fascia	
	Cool White Light	LPA014KWE

**BEAM
ANGLE 103°**

**225
MM
CUT-OUT**



**UP TO
1500
LUMENS**



IC
ABUTTED &
COVERED

IP44
WEATHERPROOF

**6 YEAR
WARRANTY**



ATIS

OYSTER LIGHT DIMMABLE & NON-DIMMABLE (17W)

The Atis brings a touch of simple elegance to any room. Providing evenly distributed ambient light from the ceiling makes it the ideal light for task, general or accent lighting.



.....
Main applications

Living areas, bedrooms, bathrooms,
and undercover outdoor areas.

Power	17W	
Lumen output	Cool White-Dimmable	1,750 lm
	Cool White-Non-dimmable	1,500 lm
Efficacy	Cool White-Dimmable	104 lm/W
	Cool White-Non-dimmable	90 lm/W
Colour temperature	Cool White	4,000K
CRI	80+	
Dimming	Trailing edge dimmers	
Lifespan	30,000 h	
Construction	Metal base with polycarbonate lens	
Package contents	17W LED non-dimmable and dimmable oyster light, wall plugs and screws	
Product code	Dimmable	
	White Finish	
	Cool White Light	LOL014KWE
	Non-Dimmable	
	White Finish	
	Cool White Light	LOL004KWE

UP TO
1750
LUMENS
DIMMABLE

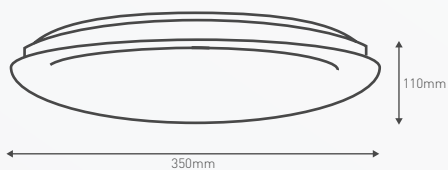
Dimmable

1500
LUMENS
NON-DIMMABLE

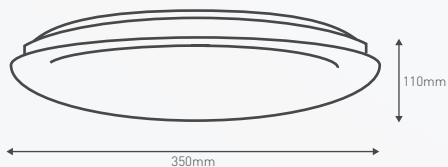
NON-DIMMABLE

3 YEAR
WARRANTY

LOL014KWE



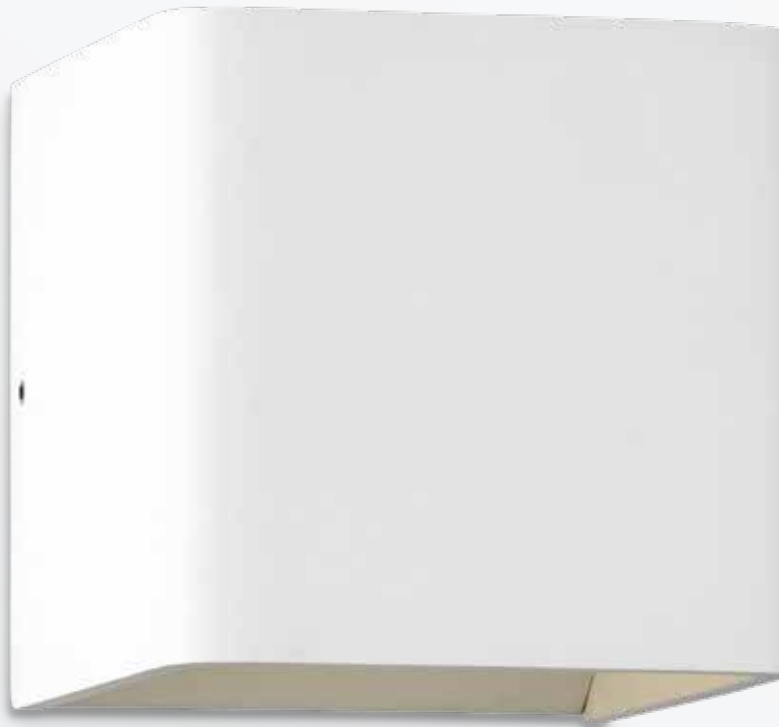
LOL004KWE



KORA

INTERIOR UP/DOWN LIGHT (8.3W)

Kora throws light up and down to create a beautiful light pattern on walls and fill rooms with ambience. The stylish cube design will complement contemporary interiors with its sleek finish and clean lines.



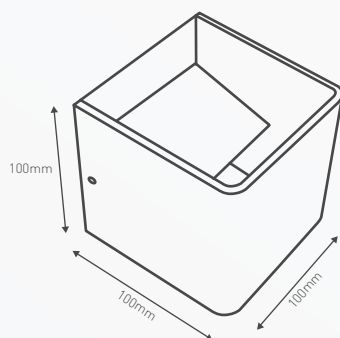
↑
Light flows both
up and down
↓

.....
Main applications

Living areas, hallways, entrances

Power	8.3W	
Lumen output	Warm White	335 lm
Efficacy	Warm White	40 lm/W
Colour temperature	Warm White	3,000K
CRI	80+	
Lifespan	30,000 h	
Construction	Electroplate with white finish	
Package contents	8.3W LED up/down light fixture, wall plugs and screws	
Product code	White Finish Warm White Light	LWL053KWE

BEAM
ANGLE 120°



SLIMLINE

LED BATTEN (40W)

With its 40mm slim design, our Slimline LED Batten is perfect for areas where illumination is needed but unobtrusiveness is the key.

Main applications

Ideal for kitchen, garage,
laundry & undercover outdoor



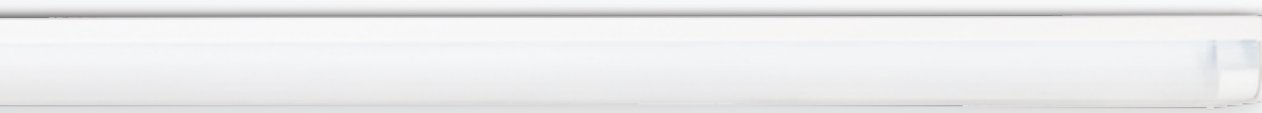
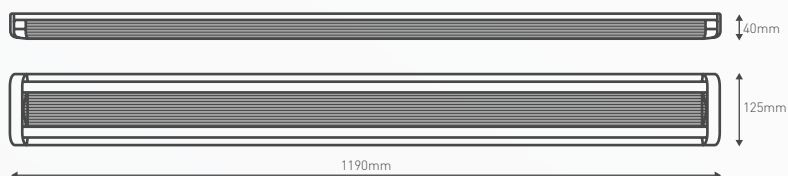
4400
LUMENS

ENERGY SAVING
LED

Easy
Instant
Install

3 YEAR
WARRANTY

Power	40W	
Lumen output	Cool White	4400 lm
Efficacy	Cool White	110 lm/W
Colour temperature	Cool White	4,000K
CRI	80+	
Dimming	Non-dimmable	
Lifespan	40,000 h	
Product codes	Cool White	M5FD228LED



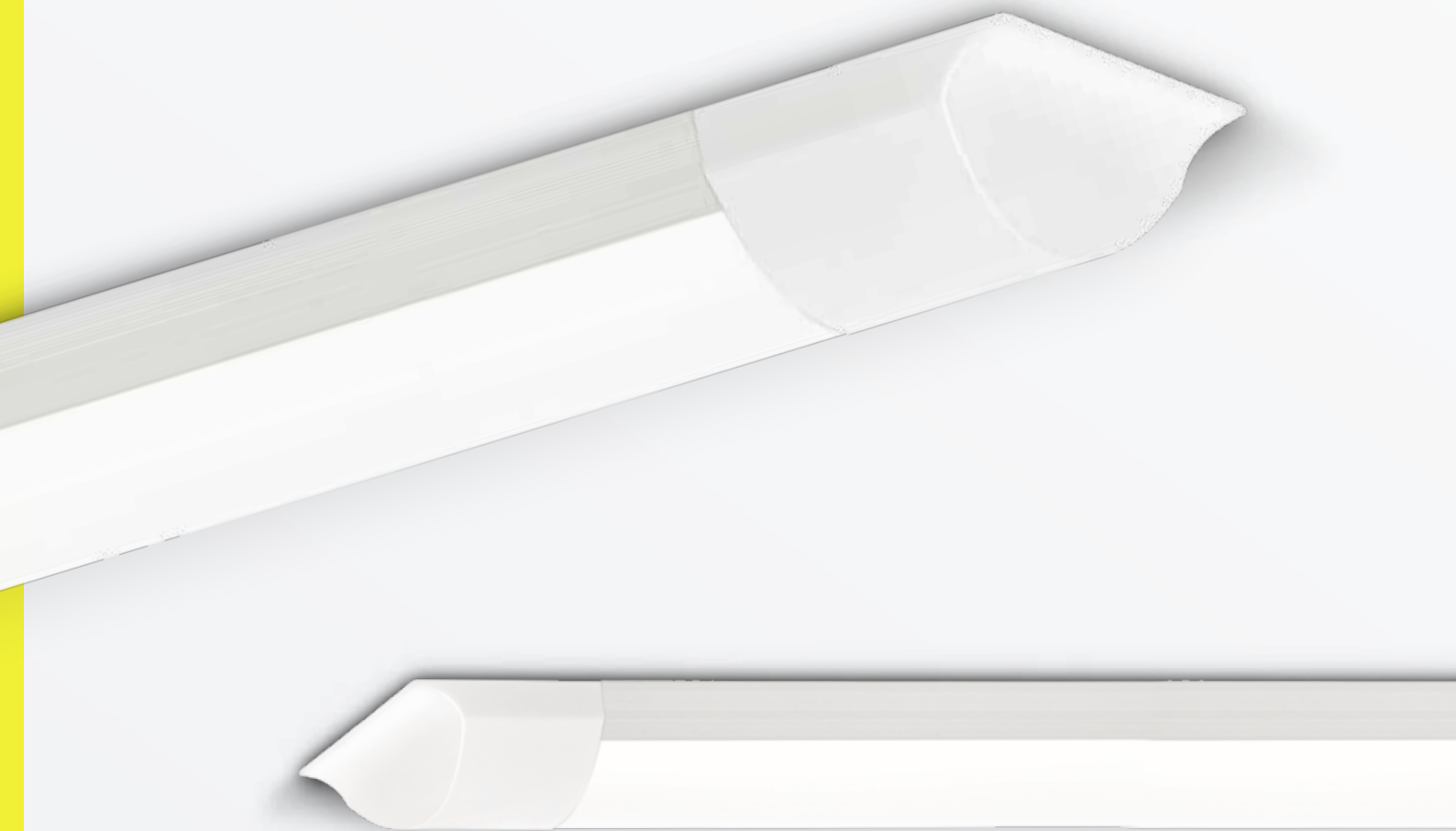
BLADE

LED BATTEN (36W)

Who would have thought batten lights could look stylish! The Blade LED Batten is very slimline with a profile of just 37mm, perfect for illuminating the home or office.

Main applications

Ideal for kitchen, study & laundry



UP TO
3600
LUMENS

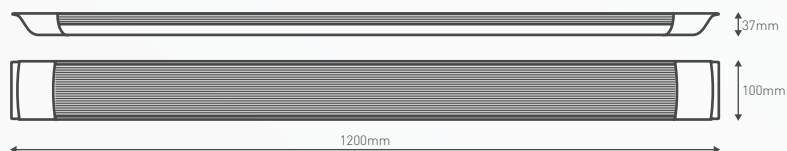
3 YEAR
WARRANTY



Power	36W	
Lumen output	Cool White	3600 lm
Efficacy	Cool White	100 lm/W
Colour temperature	Cool White	4,000K
CRI	80+	
Dimming	Non-dimmable	
Lifespan	35,000 h	
Product codes	1200mm Cool White	LLF024K1200


**BEAM
ANGLE 108°**

LLF024K1200



TALANTA

EXTERIOR UP/DOWN LIGHT (4.4W)

Made from the quality brushed stainless steel and an approved weatherproof rating of IP55, the stylish Talanta up/down light has been tested to withstand all Australian weather conditions.

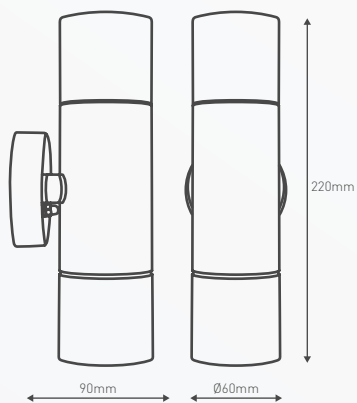


↑
Light flows both
up and down
↓

Main applications

Exterior walls, pillars,
front entrances and
alfresco areas

Power	2 x 2.2W	
Lumen output	Warm White	120 lm
Efficacy	Warm White	27 lm/W
Colour temperature	Warm White	3,000K
CRI	80+	
Lifespan	35,000 h	
Construction	Stainless steel - brushed Electroplate	
Package contents	4.4W LED up/down light fixture with allen key for mounting, 2 x GU10 LED globes, wall plugs and screws	
Product code	Aluminium Finish Warm White Light	LWL043KPS



120 LUMENS

UP DOWN LIGHT BEAM

IP55 WEATHERPROOF

3 YEAR WARRANTY



PINNA

EXTERIOR UP/DOWN LIGHT (10W)

Slimline, discreet, stylish – the Pinna thrives in outdoor spaces. Utilise its dual-direction beam to foster an atmosphere of blissful tranquility. Weatherproof rated IP54 and corrosion resistant.



↑
Light flows both
up and down
↓

TIP

Match Pinna with Legrand Soliroc weatherproof switches and sockets for a harmonious outdoor theme

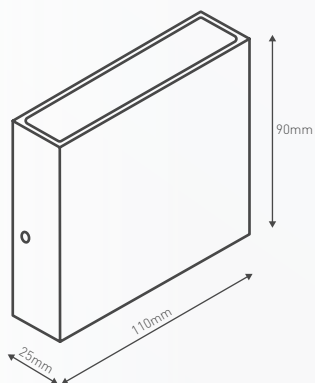
Main applications

Exterior walls, pillars, front entrances and backyard entertainment areas



Power	10W	
Lumen output	Warm White	380 lm
Efficacy	Warm White	38 lm/W
Colour temperature	Warm White	3,000K
CRI	80+	
Lifespan	30,000 h	
Construction	Anodised Aluminium	
Package contents	10W LED up/down light fixture, allen key for mounting, wall plugs and screws	
Product code	Aluminium Finish Warm White Light	LWL013KPS

~~BEAM ANGLE 120°~~



420 LUMENS

UP DOWN LIGHT BEAM

IP54 WEATHERPROOF

6 YEAR WARRANTY



GLAMA

EXTERIOR ADJUSTABLE LIGHT (10W)

Modern, elegant and simple, this outdoor LED light makes a statement. Made from die-cast aluminium with an exquisite metallic finish, Glama is the perfect lighting solution to add a contemporary look and feel to any outdoor space. The independent adjustable light allows for light play across multiple levels, working as a handy guide for the path, or highlighting a hidden nook from a far. With an IP55 weatherproof rating and 5 year warranty, this symmetrical beauty will stand tall with utmost confidence – rain, hail or shine.

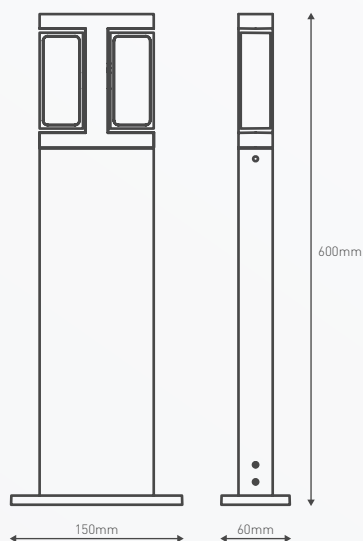


Main applications

Driveways, secluded walkways,
front and back porches

.....

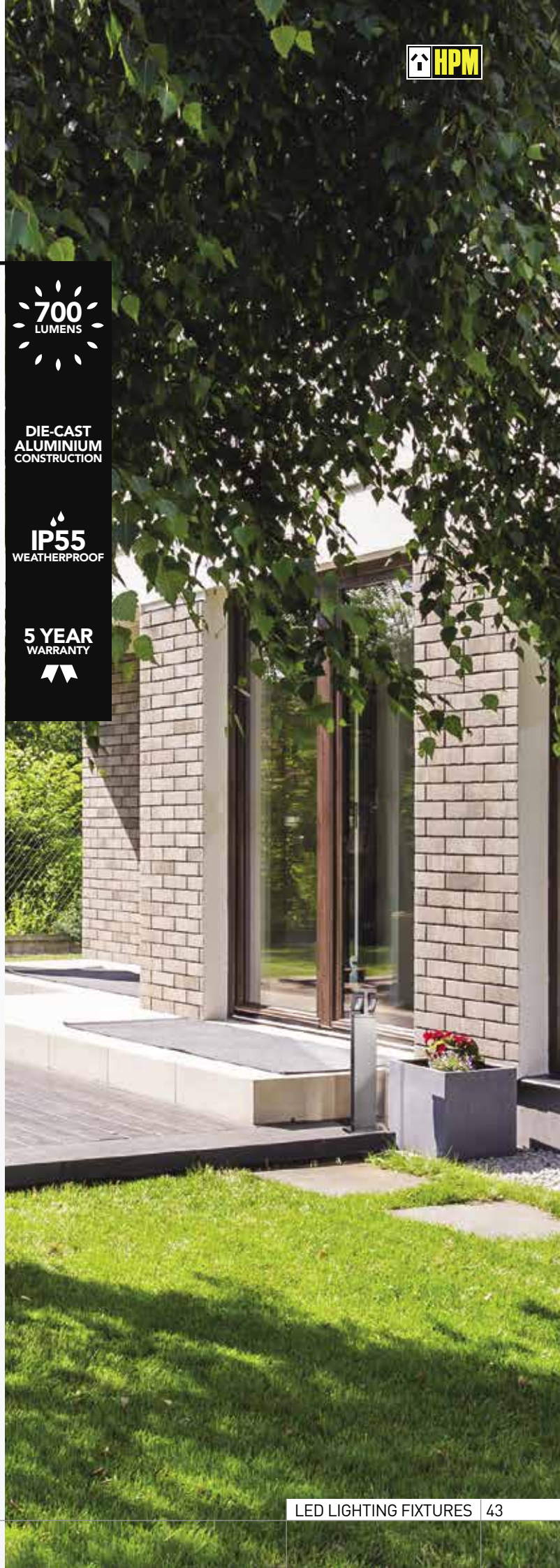
Power	10W	
Lumen output	Cool White	700 lm
Efficacy	Cool White	70 lm/W
Colour temperature	Cool White	4,000K
CRI	80+	
Lifespan	35,000 h	
Construction	Anodised Aluminium	
Package contents	10W LED up/down light fixture, allen key for mounting, wall plugs and screws	
Product code	Aluminium Finish Warm White Light	LBD0112PS



**DIE-CAST
ALUMINIUM
CONSTRUCTION**



**5 YEAR
WARRANTY**



NEW

OROYA

OUTDOOR BUNKER LIGHT (16W)

Curves in the right places, meet Oroya the weatherproof outdoor light. Mount it on a wall or ceiling, this versatile outdoor light features a weatherproof IP65 rating and can be used as an outdoor oyster light or bunker wall light.

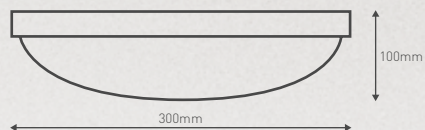


Main applications

Outdoor walls and ceilings



Power	16W	
Lumen output	Cool White	1530 lm
Efficacy	Cool White	81 lm/W
Colour temperature	Cool White	4,000K
CRI	80+	
Construction	UV resistant polycarbonate	
Package contents	16W outdoor light fixture, wall plugs and screws	
Product codes	White Finish Cool White Light	LBL014KWE
	Black Finish Cool White Light	LBL014KBL



1530
LUMENS

**WALL OR
CEILING
MOUNTING**

IP65
WEATHERPROOF

**3 YEAR
WARRANTY**



NEW

OVALIA

OUTDOOR BUNKER LIGHT (7W)

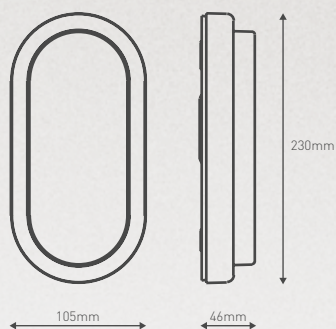
A small, compact bunker light that delivers an exceptional illumination every time, Ovalia does not disappoint. This 'fun-sized' wall light adds the perfect splash of light play, without overpowering an outdoor area with too much light. Its energy consumption matches its mini size - the LED globe provides a low cost solution that will save you a ton of energy.



..... **Main applications**
Outdoor walls and ceilings

Power		7W
Lumen output	Cool White	615 lm
Efficacy	Cool White	88 lm/W
Colour temperature	Cool White	4,000K
CRI	80+	
Lifespan	35,000 h	
Constructions	UV resistant polycarbonate	
Package contents	7W outdoor light fixture, wall plugs and screws	
Product codes	Black Finish Cool White Light	LBL044KBL

**BEAM
ANGLE 118°**



**615
LUMENS**

**WALL OR
CEILING
MOUNTING**

**IP65
WEATHERPROOF**

**5 YEAR
WARRANTY**

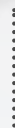
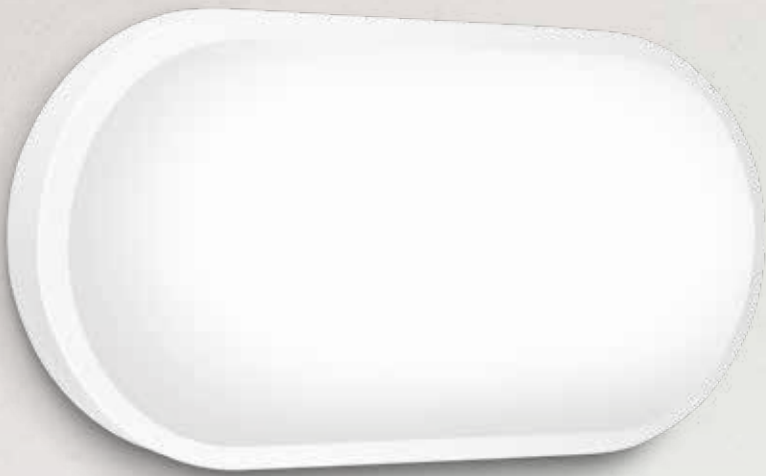


NEW

ELLIPTICA

OUTDOOR BUNKER LIGHT (15W)

Now here's a bunker light that makes outdoor wall lighting sexy! With its smooth curves, Elliptica adds the perfect amount of light play to any outdoor area, instantly jazzing up dark, drab walls with a sleek, modern oval-shaped finish. If you like an ultra-modern, simplistic look, this stunner will tick every box!

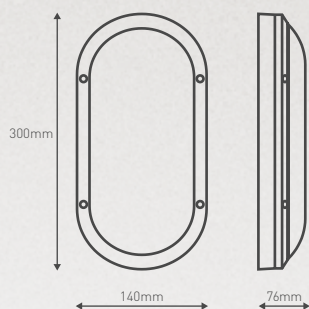


Main applications

Outdoor walls and ceilings

Power	15W	
Lumen output	Cool White	1420 lm
Efficacy	Cool White	95 lm/W
Colour temperature	Cool White	4,000K
CRI	80+	
Construction	UV resistant polycarbonate	
Package contents	15W outdoor light fixture, wall plugs and screws	
Product codes	White Finish Cool White Light	LBL034KWE
	Black Finish Cool White Light	LBL034KBL

**BEAM
ANGLE 125°**



**1700
LUMENS**

**WALL OR
CEILING
MOUNTING**

**IP65
WEATHERPROOF**

**5 YEAR
WARRANTY**

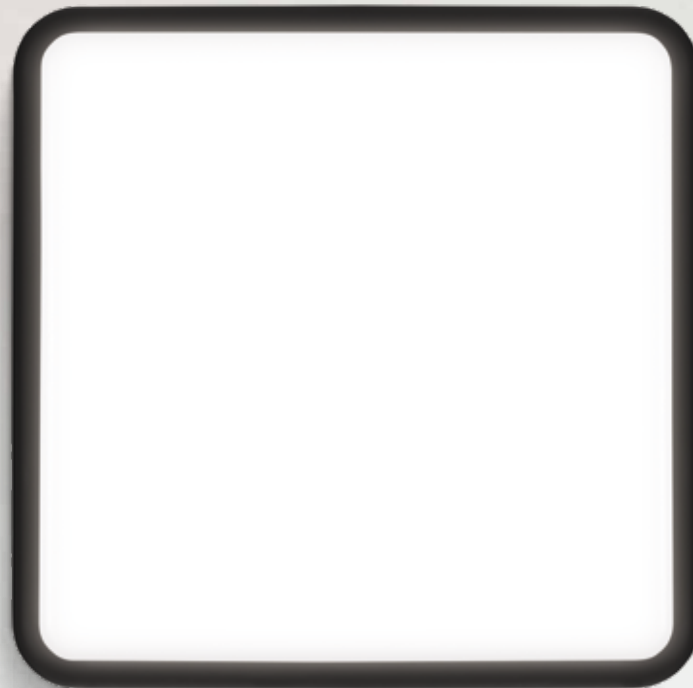


NEW

SELENTA

OUTDOOR BUNKER LIGHT (16W)

You asked, we delivered! Meet Selenta our square bunker light. Created by popular demand, it features sleek modern lines and a unique square-shaped finish. Equipped with a long-lasting LED, this eye-catching bunker light will be around for years to come.

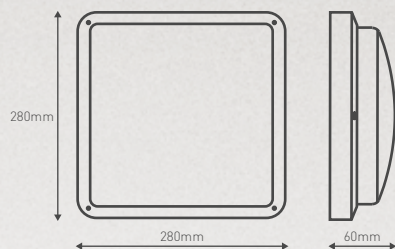


Main applications

Outdoor walls and ceilings

Power	16W	
Lumen output	Cool White	1300 lm
Efficacy	Cool White	80 lm/W
Colour temperature	Cool White	4,000K
CRI	80+	
Construction	UV resistant polycarbonate	
Package contents	16W outdoor light fixture, wall plugs and screws	
Product codes	Black Finish Cool White Light	LBL024KBL

**BEAM
ANGLE 118°**



**870
LUMENS**

**WALL OR
CEILING
MOUNTING**

**IP65
WEATHERPROOF**

**5 YEAR
WARRANTY**



FINA SLIM FLOODLIGHT (10W TO 20W)

The Fina floodlight combines both a contemporary design and high performance. The slim profile and sleek tempered glass diffuser brings a touch of modern design. The stunning IP rating allows the Fina to be installed fully exposed to the elements.



TIP

Super slim profile
blends perfectly
into all exteriors



LFL0409WBL



LFL0415WBL

Power		10W		20W
Lumen output	Cool White	980 lm		1900 lm
Efficacy	Cool White	97 lm/W		94 lm/W
Colour temperature	Cool White	4,000K		
CRI	80+			
Lifespan	25,000 h			
Constructions	Powdercoated Cast Aluminium body, with Tempered Glass.			
Package contents	LED floodlight with mounting bracket, wall plugs, screws and power cable			
Product codes		10W		LFL0409WBL
		20W		LFL0415WBL

UP TO
1900
LUMENS

ADJUSTABLE
HEAD 90°

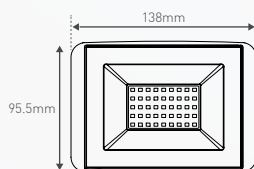
IP65
WEATHERPROOF

3 YEAR
WARRANTY

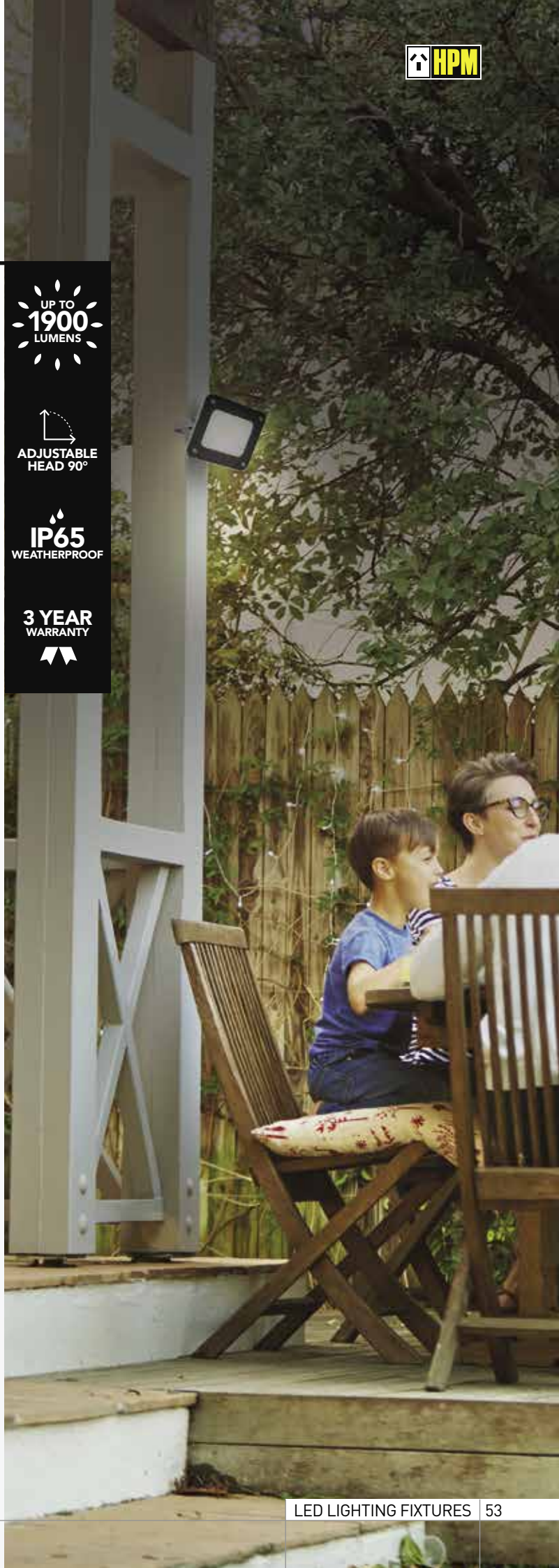
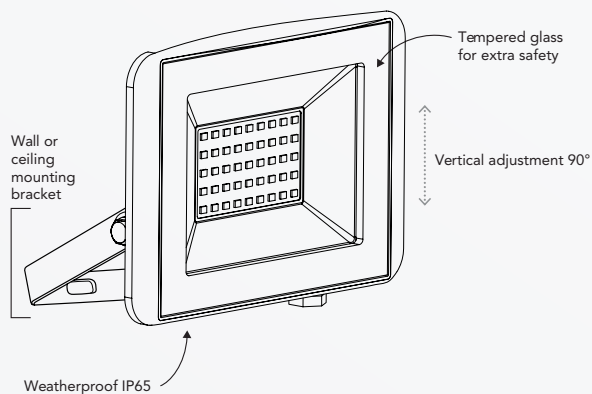
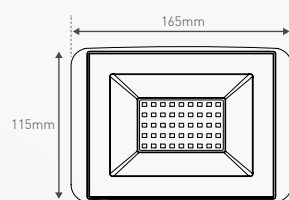


BEAM
ANGLE 113°

LFL0409WBL



LFL0415WBL



LEANA SLIM FLOODLIGHT (8W-30W)

Think 'fabulous al fresco fun' with Leana. With its sleek, contemporary design, IP65 weatherproof rating and long-lasting LED globe, Leana is the perfect floodlight for adding sparkle to your outdoor area. The light is also equipped with multiple levels of luminosity to suit all your ambiance needs. Sleek to the eye, low on the power bill and brilliant for creating moods, you can't go wrong with Leana.



TIP

Super slim profile blends perfectly into all exteriors



LEANA SLIM FLOODLIGHT
WITHOUT SENSOR



LEANA SLIM FLOODLIGHT
WITH SENSOR

UP TO
3000
LUMENS

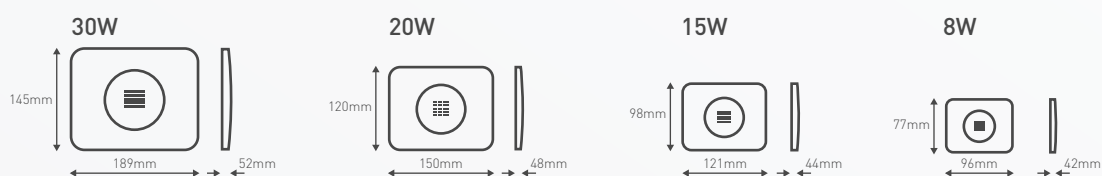
SENSOR
OPTIONS
AVAILABLE

IP65
WEATHERPROOF

5 YEAR
WARRANTY

Power		8W	15W	20W	30W
Lumen output	Cool White	650 lm	1200 lm	2000 lm	3000 lm
Efficacy	Cool White	81 lm/W	80 lm/W	60 lm/W	100 lm/W
Colour temperature	Cool White 4,000K				
CRI	70+				
Lifespan	25,000 h				
Construction	Die-cast aluminium				
Tilt angle	130° vertical				
Sensor detection range/angle	6m (max) 360° scan				
Time delay	5 min				
Sensor type	Passive Infrared (PIR)				
Switching function	Auto				
Package contents	LED floodlight with mounting bracket & 300mm lead, wall plugs, screws and power cable				

Product code	8W	LFL0510BL
	15W	LFL0520BL
	20W	LFL0530BL
	30W	LFL0540BL
	15W with PIR sensor	LFS0520BL
	20W with PIR sensor	LFS0530BL



**BEAM
ANGLE 110°**

JENTA SINGLE PORTABLE PAR38 FLOODLIGHT (8W)

Whether you want a stylish wall-mount, an illuminated garden bed, or a glowing patio, our JENTA LED floodlights will have you covered. The modern aesthetics, low energy usage and reliable operation make this range a winner on all fronts!

Main applications

Outdoor areas, front and back porches, decks, patios and workshops



MP38CLED - CLIP



MP38PERMFLED - PERMA

Power	8W	
Lumen output	Cool White	800 lm
Efficacy	Cool White	100 lm/W
Colour temperature	Cool White	4,000K
CRI	80+	
Lifespan	30,000 h	
Tilt angle	90°	
Adjustable head	90°	
Package contents	Floodlight with flex and plug and 1x PAR38 LED globe	
Product code	Black Finish Cool White Light	MP38CLED
	Black Finish Cool White Light	MP38PERMFLED

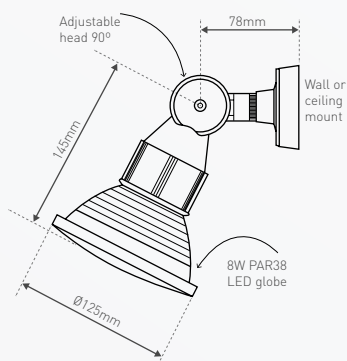
800
LUMENS

↑
ADJUSTABLE
HEAD 90°

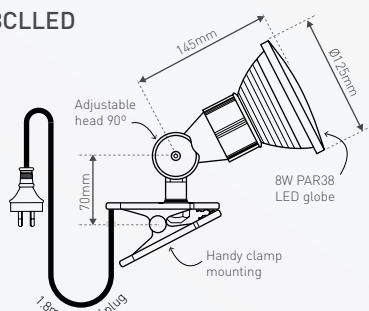
IP44
WEATHERPROOF

BEAM
ANGLE 90°

MP38PERMFLED



MP38CLED



JENTA TWIN PAR38 FLOODLIGHT (8W)

The JENTA Twin LED Floodlight is renowned for its modern aesthetics and low energy consumption. It gives you creative mounting flexibility to suit your outdoor needs. Now, you can multiply these perks by two, with the new JENTA LED Twin Floodlight.



MALC113VPLED

TIP

Outdoor areas, front/back porches, decks/patios, secluded workshops, garages, driveways, cluttered areas, indoor security applications, stairways, attics and workshops.

**I'M
EASY TO
INSTALL**



LFSM043KBL

Power	80W (per lamp)	
Lumen output	Cool White	1600 lm (800 lm per lamp)
Efficacy	Cool White	100 lm/W
Colour temperature	Cool White	4,000K
CRI	80+	
Lifespan	30,000 h	
Head swivel angle	110° (per lamp)	
Construction	UV resistant polycarbonate	
Package contents	Floodlight with flex and plug, 2x PAR38 LED globe and screws	
Product code	Black Finish Cool White Light (without sensor) MALC113VPLED	

Power	80W (per lamp)	
Lumen output	Cool White	1600 lm (800 lm per lamp)
Efficacy	Cool White	100 lm/W
Colour temperature	Cool White	4,000K
CRI	80+	
Lifespan	30,000 h	
Head swivel angle	110° (per lamp)	
Sensor type	Passive Infrared (PIR) Auto With Manual Override	
Sensor detection range/angle	12m / 180°	
Sensor time-delay adjustment	10 (±3) seconds to 7 (±2) minutes	
Construction	UV resistant polycarbonate	
Package contents	Floodlight with flex and plug, 2x PAR38 LED globe and screws	
Product code	Black Finish Cool White Light (with sensor) LFSM043KBL	

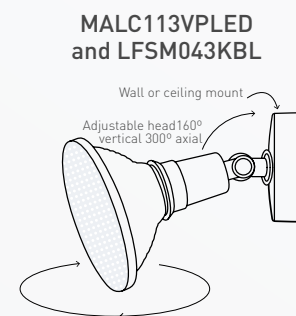
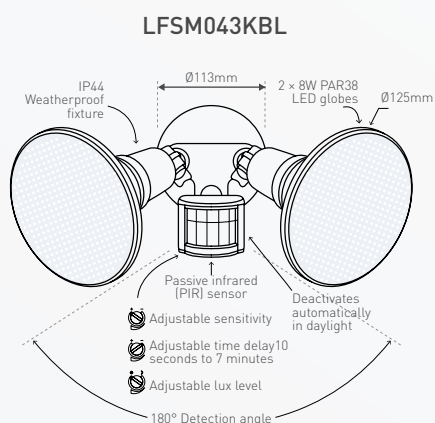
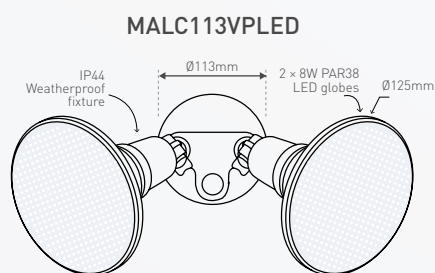
1600 LUMENS

ADJUSTABLE TIME-DELAY & LUX LEVEL

ADJUSTABLE HEAD 300°

IP44 WEATHERPROOF

BEAM ANGLE 110°



TWIN FLOODLIGHT WITH SENSOR (29W)

This versatile floodlight features dual lights that can be independently positioned allowing different areas to be illuminated. Ideal for secluded walkways and driveways the PIR sensor automatically activates lights when motion is detected within the detection range.

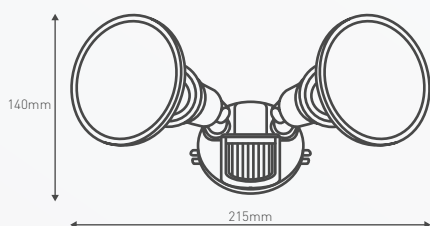


TIP

Passive infrared sensors are sensitive to a person's skin temperature through emitted body radiation, in contrast to background objects at room temperature. No energy is emitted from the sensor, thus the name "Passive Infrared" (PIR)

Power	29W	
Lumen output	Warm White	2,200 lm
Efficacy	Warm White	75 lm/W
Colour temperature	Warm White	3,000K
CRI	80+	
Lifespan	30,000 h	
Head swivel angle	120°	
Sensor detection range/angle	12m / 180°	
Sensor time-delay adjustment	10 (±5) seconds to 4 (±1) minutes	
Sensor type	Passive Infrared (PIR)	
Construction	UV resistant polycarbonate	
Package contents	29W Twin LED floodlight with PIR sensor, wall plugs and screws, 2x14W PAR38 LED lamps	
Product code	Black Finish Warm White Light	LFS013KBL

**BEAM
ANGLE 120°**



PAR38 replacement LED lamp
(LPAR38024KES)



**2200
LUMENS**

**ADJUSTABLE
TIME-DELAY
& LUX LEVEL**

**IP44
WEATHERPROOF**

**3 YEAR
WARRANTY**



SIKA FLOODLIGHT (12W TO 25W)

A great choice for lighting walkways and outdoor areas, this floodlight is a bright energy saver. Its simple design blends seamlessly with any décor making it a versatile choice. The Sika with motion sensor switches on automatically when movement is detected.



TIP

Ideal for driveways, including walkways, front and back porches

Power	12W	25W
Lumen output	Cool White 1,070 lm	2,200 lm
Efficacy	Cool White 88 lm/W	89 lm/W
Colour temperature	Cool White	4,000K
CRI	80+	
Lifespan	15,000 h	
Head swivel angle	130° vertical / 180° horizontal	
Sensor detection range/angle	12m / 180°	
Sensor time-delay adjustment	10 (±5) seconds to 4 (±1) minutes	
Sensor type	Passive Infrared (PIR)	
Sensor manual override	Yes	
Construction	Die-cast aluminium body	
Package contents	LED floodlight, wall plugs and screws	
Product code		
Single spot	12W	LSP0112WBL
Double spot	25W	LSP0125WBL
Single spot	12W with PIR sensor	LSS0112WBL
Double spot	25W with PIR sensor	LSS0125WBL

UP TO
2200
LUMENS

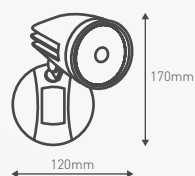
ADJUSTABLE
TIME-DELAY
& LUX LEVEL

IP44
WEATHERPROOF

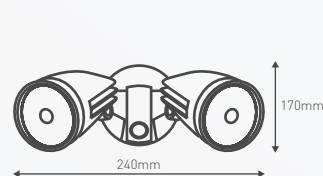
5 YEAR
WARRANTY



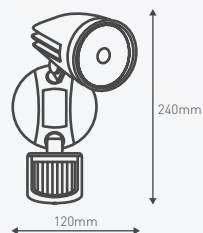
LSP0112WBL



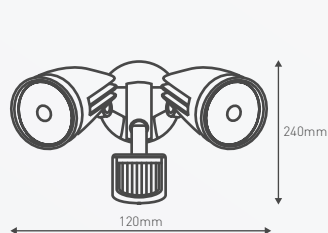
LSP0125WBL



LSS0112WBL



LSS0125WBL



FORTA FLOODLIGHT (10W TO 40W)

Sporting a slick black, die-cast aluminium body, Forta floodlights look fantastic as well as throw a powerful light. The optional PIR sensor automatically turns on the light when it detects movement, which is both a great energy saving and security feature.

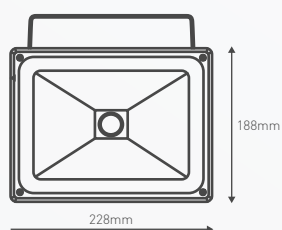


Main applications

Ideal for driveways, secluded walkways, front and back porches

<p>UP TO 3000 LUMENS</p> <p>SENSOR OPTIONS AVAILABLE</p> <p>IP44 WEATHERPROOF</p> <p>3 YEAR WARRANTY</p>	Power	30W	
	Lumen output	Cool White	2,250 lm
	Efficacy	Cool White	75 lm/W
	Colour temperature	Cool White	4,000K
	CRI	80+	
	Lifespan	15,000 h	
	Construction	Die-cast aluminium	
	Head swivel angle	180° vertical	
	Sensor detection range/angle	12m / 180°	
	Sensor time-delay adjustment	10 (±5) seconds to 4 (±1) minutes	
	Sensor type	Passive Infrared (PIR)	
	Sensor manual override	Yes	
	Package contents	LED floodlight with mounting bracket, wall plugs, screws and power cable	
	Product code	30W	LFL0130WBL

LFL0130WBL



BAKRA FLOODLIGHT (13W TO 14W)

Illuminate your outdoor space with the Bakra. The functional design casts a wide spread of light making outdoor spaces brighter and safer.



.....

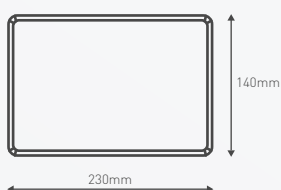
Main applications

Ideal for driveways, secluded walkways, front and back porches

Power	13W to 14W	
Lumen output	Cool White	1,100 lm
Efficacy	Cool White	100 lm/W
Colour temperature	Cool White	4,000K
CRI	80+	
Head swivel angle	180° vertical (No sensor) 90° vertical (Sensor)	
Lifespan	15,000 h (No sensor) 30,000 h (Sensor)	
Construction	UV Resistant ABS Plastic aluminium heat sink	
Sensor detection range/angle	8m / 130°	
Sensor time-delay adjustment	10 (±5) seconds to 4 (±1) minutes	
Sensor type	Passive Infrared (PIR)	
Sensor manual override	No	
Package contents	LED floodlight with mounting brackets, wall plugs and screws	
Product code	Black Finish 11W	LFL0213WBL



LFL0213WBL



1100 LUMENS

ADJUSTABLE HEAD 180°

IP44 WEATHERPROOF

3 YEAR WARRANTY



FORTA WORKLIGHT (10W TO 40W)

Brighten up a work space on site, at home, in the garage or workshop with a high performing Forta LED worklight. Increase visibility and safety indoors or outdoors with this IP44 weatherproof rated range.

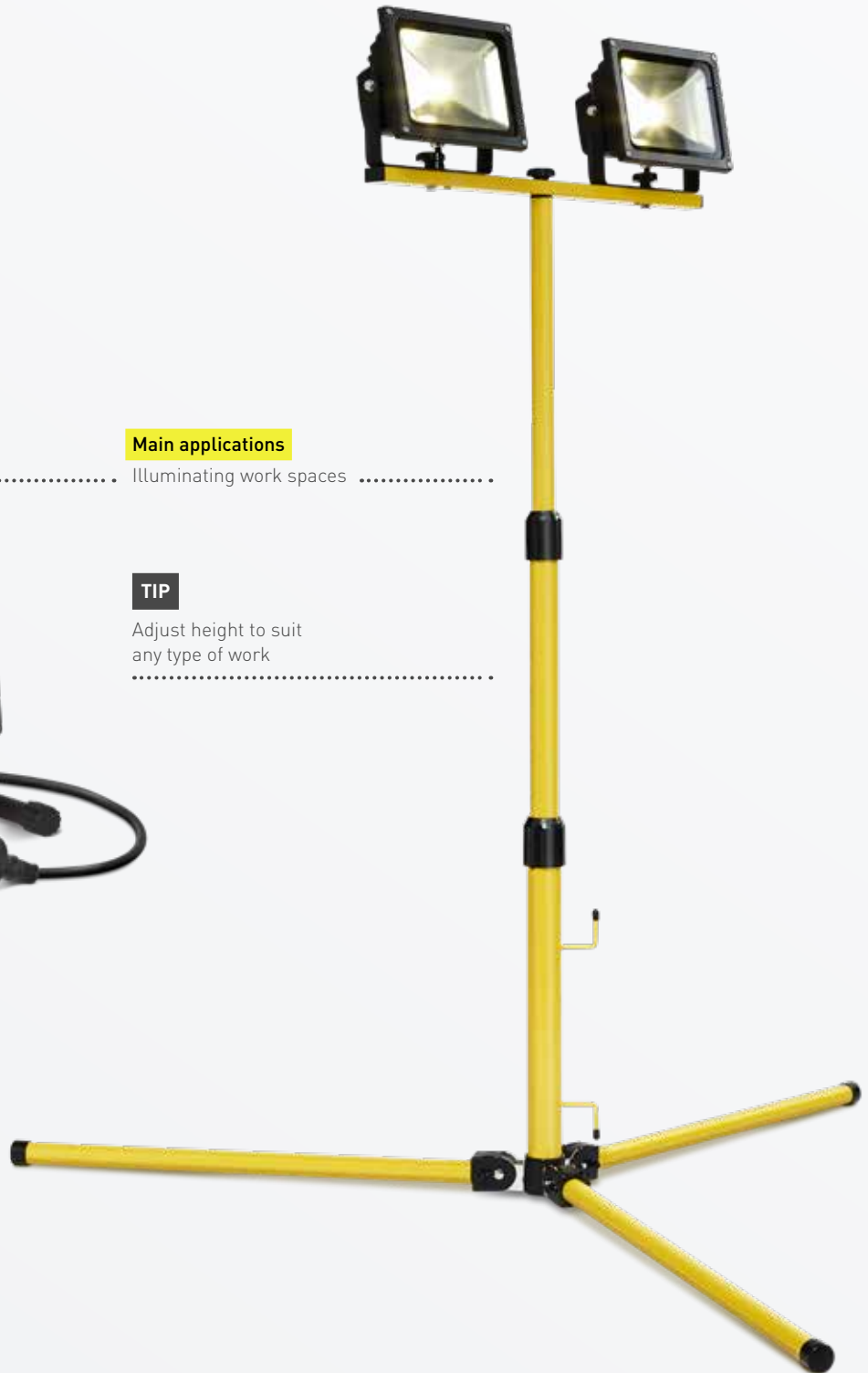


Main applications

..... Illuminating work spaces

TIP

Adjust height to suit any type of work



UP TO
4080
LUMENS

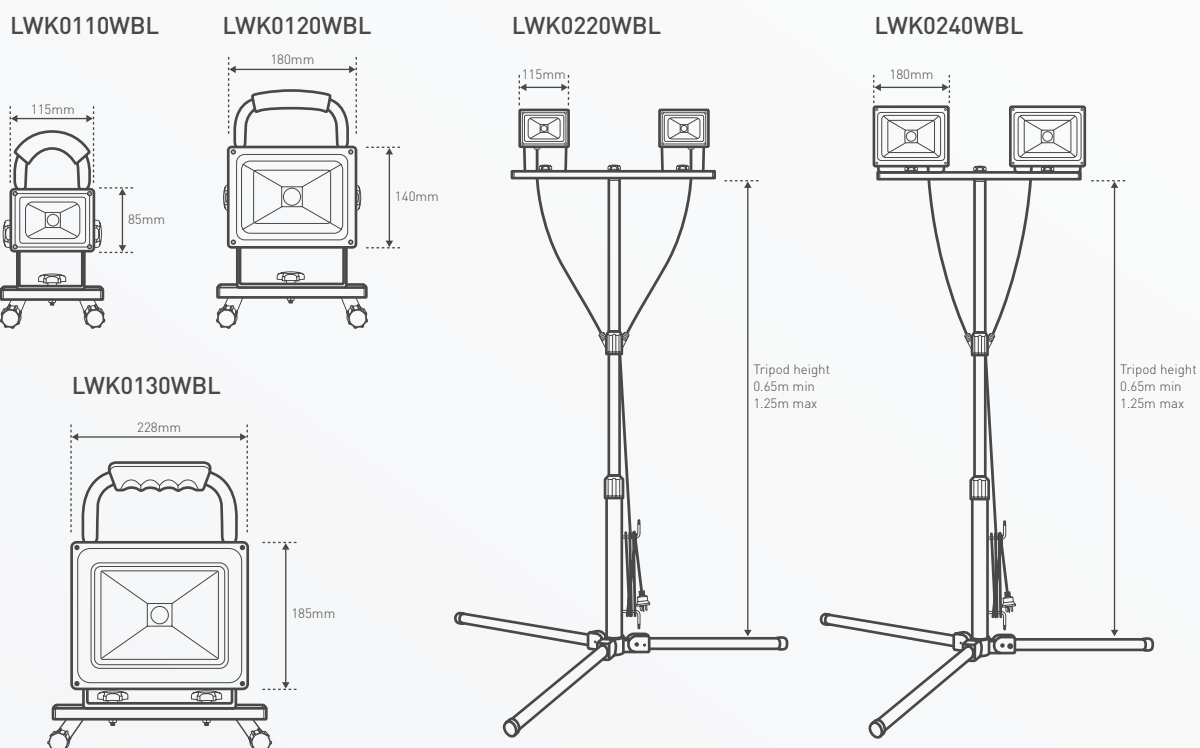
IP44
WEATHERPROOF

EASY
PLUG-IN

3 YEAR
WARRANTY

Power		10W	20W	30W	2 x 10W	2 x 20W
Lumen output	Cool White	730 lm	2,040 lm	2,250 lm	2 x 730 lm	2 x 2,040 lm
Efficacy	Cool White	73 lm/W	88 lm/W	75 lm/W	73 lm/W	88 lm/W
Colour temperature	Cool White	4,000K				
CRI	80+					
Lifespan	15,000 h					
Construction	Die-cast aluminium					
Height adjustment	Yes tripod					
Head swivel angle	180° vertical					
Weatherproof rating	IP44					
Package contents	LED worklight with flex and plug					

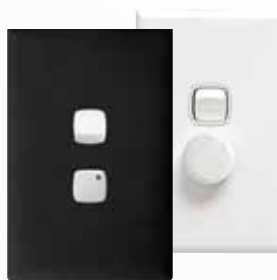
Product code	Portable	
	10W	LWK0110WBL
	20W	LWK0120WBL
	30W	LWK0130WBL
	Tripods	
	2 x 10W	LWK0220WBL
	2 x 20W	LWK0240WBL



DIMMER COMPATIBILITY

LED FIXTURE RANGE	DIMMER TYPE	DIMMERS COMPATIBILITY	MAXIMUM LIGHTS PER DIMMER	DIMMING RANGE
DLI70 Downlights	Trailing edge only	400A3P	16	100%-1%
		400A2P	16	89%-7%
		250T	11	100%-7%
		400T	16	94%-8%
		700T	28	100%-15%
		1000T	40	100%-18%
AZA+ Downlights DLI90, DLI110, DLI125 & DLI150 Downlights	Trailing edge only	400A3P	12	100%-1%
		400A2P	12	97%-9%
		250T	8	100%-7%
		400T	12	100%-7%
		700T	21	100%-13%
		1000T	30	100%-16%
Dalia Downlights	Trailing edge & leading edge	400A3P	8	100%-5%
Azalea Downlights		400A2P	8	100%-10%
Freesia Downlights		250T / 250L	5	100%-10%
Luna Panel Lights		400T / 400L	8	100%-10%
Calla Step Lights		700T / 700L	14	100%-25%
Zinnia Starlights		1000T / 1000L	20	100%-25%
DLS Downlights	Trailing edge only	400A3P	8	100%-10%
		400A2P	8	100%-10%
		250T	5	100%-10%
		400T	8	100%-10%
		700T	14	100%-25%
		1000T	20	100%-25%

Note: Not all LED lights are dimmable, refer to product details to confirm suitability for dimming.



LEGRAND EXCEL LIFE™

LEGRAND ARTEOR™

HPM LINEA™ AND EXCEL

VIVO™



EM400A3P (3 wire)
EM400A2P (2 wire)
 Excel Life 350VA all load 2 & 3 wire electronic push-button dimmer mechanism
White: EM400A3PWE
 EM400A2PWE
Urban Grey: EM400A3PUG
 EM400A2PUG
Matt White: EM400A3PMW
 EM400A2PMW
Matt Black: EM400A3PMB
 EM400A2PMB



AR400A3P (3 wire)
AR400A2P (2 wire)
 Arteor 350VA all load 2 & 3 wire push-button dimmer mechanism
White: AR400A3PMWE
 AR400A2PMWE
Magnesium:
 AR400A3PMMGN
 AR400A2PMMGN
Champagne:
 AR400A3PMCHP
 AR400A2PMCHP
Aluminium:
 AR400A3PMALU
 AR400A2PMALU



400A2PM (2 wire)
400A3PM (3 Wire)
 Excel or Linea and 350VA (2 & 3 wire) electronic push-button dimmer mechanism
White: 400A2PMWE
 400A3PMWE
Black: 400A2PMBL
 400A3PMBL



EVM400A3* (3 wire)
EVM400A2* (2 wire)
 VIVO 350VA all load 2 & 3 wire electronic push button dimmer mechanism
White: EVM400A3WE
 EVM400A2WE
Grey: EVM400A3GR
 EVM400A2GR



EM250T*
 Excel Life 250VA 2 wire trailing edge rotary dimmer mechanism
White: EM250TRWE
Urban Grey: EM250TRUG



AR400T / AR400L*
 Arteor 400VA 2 wire rotary dimmer mechanism
White: AR400TMWE
 AR400LMWE
Magnesium: AR400TMMGN
 AR400LMMGN



250T / 250L*
 Excel or Linea 250VA 2 wire rotary dimmer mechanism
White: 250LMWE 250TMWE
 Also available in black & cream



400T / 400L*
 Excel or Linea 400VA 2 wire rotary dimmer mechanism
White: 400TMWE 400LMWE
 Also available in black & cream



EM400T*
 Excel Life 400VA 2 wire trailing edge rotary dimmer mechanism
White: EM400TRWE
Urban Grey: EM400TRUG
Black: EM400TRBL



700T / 700L*
 Excel or Linea 700VA 2 wire rotary dimmer mechanism
White: 700TMWE 700LMWE








1000T / 1000L*
 Excel or Linea 1000VA 2 wire rotary dimmer mechanism
White: 1000TMWE 1000LMWE

*T = Trailing Edge, L = Leading Edge

ACCESSORIES

DOWNLIGHT EXTENSION PLATES

Cat No.	Image	Description	Cat No.	Image	Description
LEP120WE		Suitable for hole cut-outs up to Ø120mm	DLIR90CH		Replaceable DLI fascia ring Ø90mm chrome
LEP150WE		Suitable for hole cut-outs up to Ø150mm	DLIR90RO		Replaceable DLI fascia ring Ø90mm rose gold
			DLIR90PA		Replaceable DLI fascia ring Ø90mm paintable
Suitable for: DLI90, AZA+, Dalia, Azalea, and DLS series			Suitable for: DLI90 series		

LIGHTING SENSORS

Passive infrared (PIR) sensor

Sensitive to a person's skin temperature through emitted body radiation, in contrast to background objects at room temperature. HPM's range of sensors is suitable for both indoor and outdoor for various locations throughout the house including corridors, wardrobes, secluded walkways and garages.

Whether used for extra safety around the house or for convenience indoors, these deliver great energy savings all year round.

Cat No.	Image	Description	Finish	Manual override	IP Rating	Application	Mounting type	Detection range	Detection angle	Time delay
630S01BL		180° PIR Sensor	Black	No	IP44	Indoor/Outdoor	Wall Surface Mounted	12m	180°	8s to 7min
630S01WE		180° PIR Sensor	White	No	IP44	Indoor/Outdoor	Wall Surface Mounted	12m	180°	8s to 7min
630SM01BL		180° PIR Sensor	Black	Yes	IP44	Indoor/Outdoor	Wall Surface Mounted	12m	180°	8s to 7min
630SM01WE		180° PIR Sensor	White	Yes	IP44	Indoor/Outdoor	Wall Surface Mounted	12m	180°	8s to 7min
630S02WE		360° PIR Sensor	White	No	IP20	Indoor	Ceiling Surface mounted	8m	360°	10s to 10min
630R02WE		360° PIR Sensor	White	No	IP41	Indoor	Ceiling Surface mounted	8m	360°	10s to 10min
630R01WE		360° PIR Sensor	White	No	IP20	Indoor	Ceiling surface mounted	6m	360°	10s to 15min
488TRI3W		Triscan 3-Wire Pir Sensor	White	Yes	IP66	Outdoor	Wall Surface Mounted	8m	120°	8s to 15min

INDEX OF PROTECTION

1. Protection against solid bodies and liquids: IP index of protection

Degrees of protection for enclosures of electrical equipment according to standards: IEC 60529, BS EN 60529 and NF EN 60529

First digit:

Protection against solid bodies (See AS 1939, Clause 5)

IP	Tests	IP
0	No protection	
1	Protected against solid bodies larger than 50 mm (e.g. accidental contact with the hand)	A
2	Protected against solid bodies larger than 12.5 mm (e.g. finger)	B
3	Protected against solid bodies larger than 2.5 mm (e.g. tools, wires)	C
4	Protected against solid bodies larger than 1 mm (e.g. fine tools and small wires)	
5	Protected against dust (no harmful deposit)	D
6	Completely protected against dust	

Second digit:

Protection of equipment against ingress of harmful liquids (See AS 1939, Clause 6)

IP	Tests	IP
0	No protection	
1	Protected against vertically-falling drops of water (condensation)	
2	Protected against drops of water falling at up to 15° from the vertical	
3	Protected against drops of rain water at up to 60° from the vertical	
4	Protected against projections of water from all directions	
5	Protected against jets of water (from all directions)	
6	Protected against jets of water of similar force to heavy seas	
7	Protected against the effects of immersion	
8	Protected against prolonged effects of immersion	

2. Protection IK, against mechanical impact.

According to standards: IEC 62262, BS EN 62262 and NF EN 62262

IK	Tests	Impact energy (in Joules)
IK 00		0
IK 01	0.2 kg, 75 mm	0.15
IK 02	0.2 kg, 100 mm	0.2
IK 03	0.2 kg, 175 mm	0.35
IK 04	0.2 kg, 250 mm	0.5
IK 05	0.2 kg, 350 mm	0.7

IK	Tests	Impact energy (in Joules)
IK 06	0.5 kg, 200 mm	1
IK 07	0.5 kg, 400 mm	2
IK 08	1.7 kg, 295 mm	5
IK 09	5 kg, 200 mm	10
IK 10	5 kg, 400 mm	20

• This table can be used to ascertain the resistance of a product to an impact given in Joules from the IK code (graduated from 00 to 10)





LED LIGHTING GLOBES

A60 LED GLOBE WITH SHAPE (13W)

The LED Globe with Integrated Shade is ideal for pendant kits and batten holders. It is suitable for living areas, bedrooms and kitchens and has a strong 1360 lumen output, lighting up any space in your home.

TIP

Ideal for pendant kits
and batten holders



BAYONET B22 (BC)



D9500WE



360/W1WE

Ideal for pendant kits and batten holders

Note: Batten holder & pendant kit not included

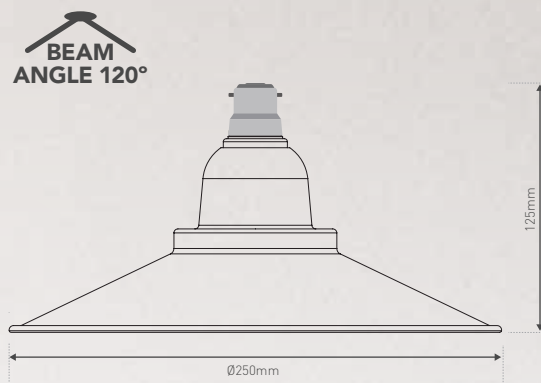
UP TO **1360** LUMENS

MAXIMUM EFFICACY
UP TO 103 lm/W

BAYONET B22

3 YEAR WARRANTY

Power	13W	
Lumen output	Warm White	1,360 lm
Efficacy	Warm White	103 lm/W
Colour temperature	Warm White	3,000K
CRI	80+	
Lifespan	25,000 h	
Base	Bayonet B22	
Package contents	A60 LED Globe 13W mounted with Bayonet B22 base	
Product code	Warm White BC	LCS013KWEBC



A60

LED GLOBES T-SHAPE (12W TO 19W)

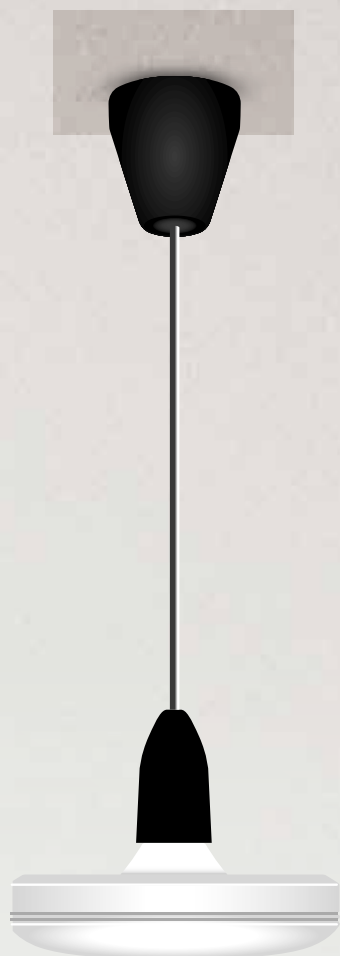
Great for living rooms with low ceilings, this A60 provides an added feature that is more than just a globe. Take it to the next level and add this contemporary globe to a pendant light.

TIP

Ideal for pendant kits
and batten holders



BAYONET B22 (BC)



D9500WE



360/W1WE

Note: Batten holder & Pendant kit not included

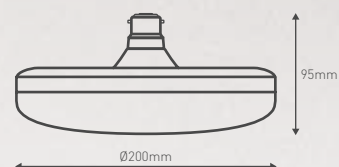
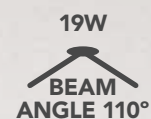
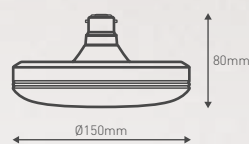
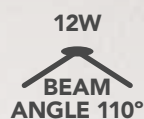
UP TO
1700
LUMENS

MAXIMUM EFFICACY
UP TO 91lm/W

**BAYONET
B22**

**3 YEAR
WARRANTY**

Power	12W	19W
Lumen output	Warm White 1,100 lm	1,700 lm
Efficacy	Warm White 91 lm/W	89 lm/W
Colour temperature	Warm White	3,000K
CRI	80+	
Lifespan	20,000 h	
Base	Bayonet B22	
Package contents	A60 LED Globe 12W or 19W, mounted with Bayonet B22 base	
Product code	12W Globe Warm White BC	LT150013KBC
	19W Globe Warm White BC	LT200013KBC



A60 LED GLOBES (5W TO 8W)

These are great energy-savers. They emit up to 1,035 lumens on a mere 8W. They are perfect in living rooms, bedrooms, and hallways. Start slashing your energy bills and help the planet too.

UP TO
1035
LUMENS

MAXIMUM EFFICIENCY
UP TO 129lm/W

B22 + E27
OPTIONS

3 YEAR
WARRANTY

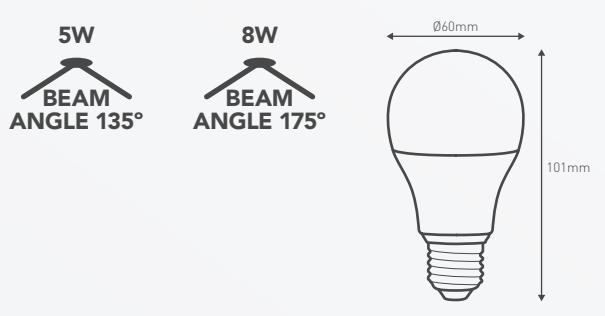
Power		5W		8W
Lumen output	Warm White	490 lm		945 lm
	Cool White	520 lm		1,035 lm
Efficacy	Warm White	98 lm/W		118 lm/W
	Cool White	104 lm/W		129 lm/W
Colour temperature	Warm White			3,000K
	Cool White			4,000K
CRI		80+		
Lifespan		25,000 h		
Base		Bayonet B22 Edison E27		
Package contents	A60 LED Globe 5W or 8W, mounted with Bayonet B22 or Edison E27 base			

Product code	5W Globes	
	Cool White BC	LA60014KBC
	8W Globes	
	Cool White BC	LA60024KBC
	Cool White ES	LA60024KES



BAYONET B22 (BC)

EDISON E27 (ES)



A60 INSECT LED GLOBES (5W)

Ideal for living areas and undercover outdoor areas with its yellow light output deters insects.

460 LUMENS

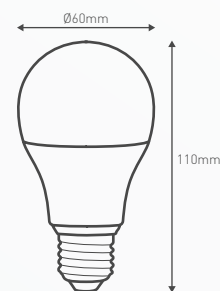
LESS ATTRACTIVE TO INSECTS

B22 + E27 OPTIONS

3 YEAR WARRANTY

Power	5W
Lumen output	460 lm
Efficacy	92 lm/W
Light Colour	Yellow
Lifespan	25,000 h
Base	Bayonet B22 Edison E27
Package contents	A60 LED Globe 5W mounted with Bayonet B22 or Edison E27 base
Product code	BC LA6001BUGBC ES LA6001BUGES

BEAM ANGLE 210°



BAYONET B22 (BC)

EDISON E27 (ES)

Main applications

Specially turned colour filter so that light is less attractive to insects

CANDLE LED GLOBES (5W)

Ideal for mood lighting especially in pendant lights or exposed fixtures like chandeliers.



EDISON
E14

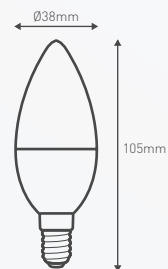


3 YEAR
WARRANTY



Power	5W	
Lumen output	Warm White	560 lm
Efficacy	Warm White	112 lm/W
Colour temperature	Warm White	3,000K
CRI	80+	
Base	Edison Screw E14	
Package contents	Candle 5W mounted with Edison E14 Base	
Product code	5W Warm White SES	LCA023KSES

BEAM
ANGLE 180°



Main applications

Chandeliers, table lamps and various luminaires

EDISON E14 (SES)

G45 LED GLOBES (4W)

The G45 globe fits a standard Australian bayonet (B22) or screw-in (E27) light fitting so it is great to use where a normal size globe won't fit. It's ideal for a wide variety of lighting décors; from café and restaurant interiors to home or office decor lighting.

420 LUMENS

MAXIMUM EFFICACY
UP TO 105lm/W

B22 + E27 OPTIONS

3 YEAR WARRANTY

Power	4W	
Lumen output	Warm White	420 lm
Efficacy	Warm White	105 lm/W
Colour temperature	Warm White	3,000K
CRI	80+	
Lifespan	25,000 h	
Base	Bayonet B15/B22 Edison E14/E27	
Package contents	G45 LED Globe 4W, mounted with Bayonet B15/B22 or Edison E14/E27 base	

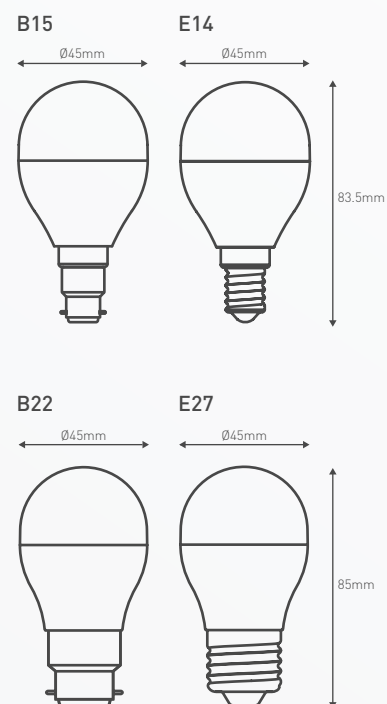
Product code	4W Globes Bayonet
	Warm White B15 LG45013KSBC Warm White B22 LG45013KBC
	4W Globes Edison
	Warm White E14 LG45013KSES Warm White E27 LG45013KES



EDISON E14 (ES)

BAYONET B15 (BC)

BEAM ANGLE 150°



PAR38 LED GLOBE (14W)

Update your existing floodlights with the latest in energy-saving PAR 38 globes. These beauties beam 1,100 glorious lumens from a tidy 14W and have a potential lifespan of 30,000 hours.

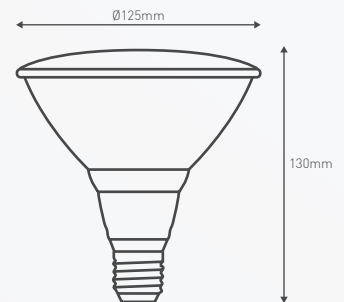
1800 LUMENS

EDISON E27

3 YEAR WARRANTY

Power	14W	
Lumen output	Warm White	1,100 lm
Efficacy	Warm White	78 lm/W
Colour temperature	Warm White	3,000K
CRI	80+	
Lifespan	30,000 h	
Base	Edison E27	
Package contents	PAR38 Globe 14W mounted with Edison E27 base	
Product code	Warm White ES	LPAR38013K

BEAM ANGLE 120°



EDISON E27 (ES)

PAR38 LED GLOBE (8W)

...And now in matt black finish

800
LUMENS

EDISON
E27

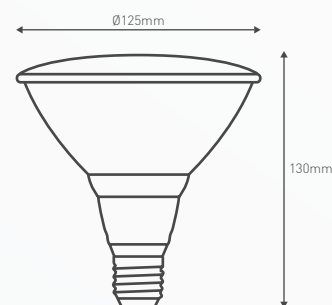


3 YEAR
WARRANTY



Power	8W	
Lumen output	Cool White	800 lm
Efficacy	Cool White	100 lm/W
Colour temperature	Cool White	4,000K
CRI	80+	
Lifespan	30,000 h	
Base	Edison E27	
Package contents	PAR38 Globe 8W mounted with Edison E27 base	
Product code	Cool White ES	LPAR38024KES

BEAM
ANGLE 110°



EDISON E27 (ES)



LED GARDEN LIGHTING 12V



LED GARDEN LIGHTING BENEFITS

When installing LED lights, you do not need to use a transformer with a high wattage rating. If you have chosen lights that aren't available in a kit form (i.e including a transformer or a cable), a HPM LED lighting installation pack is ideal for your needs.

When you reduce your overall energy consumption, you significantly increase the total number of lights you can add to your transformer. This makes it easier to install more lights when you wish to update the look of your garden.

It is important to choose a transformer that is suitable for your lighting system – refer transformer selection chart page (104).

HPM Garden lighting products pair nicely with:



AQUA SWITCHES



EXCEL LIFE WEATHERPROOF SWITCHES



SIMPLE 3 STEP GARDEN LIGHT CONFIGURATION

DIY STEP 1

CHOOSE YOUR LIGHTS

Mix & match styles. You can add LED and halogen lights on the same cable

DIY STEP 2

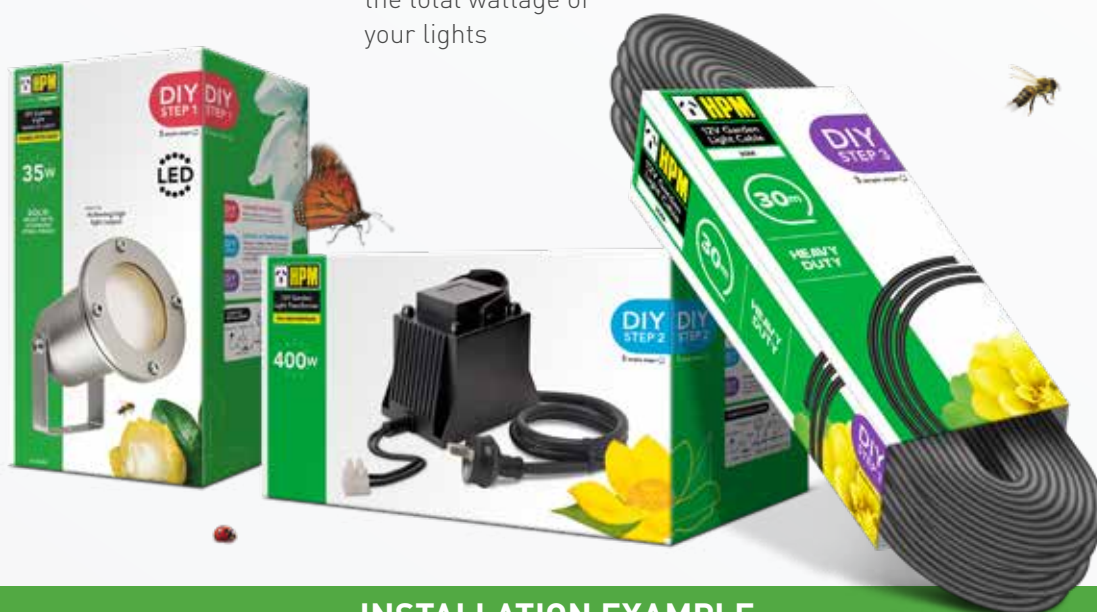
CHOOSE A TRANSFORMER*

Add up the wattage of the lights you have selected, then choose a transformer with a wattage higher than the total wattage of your lights

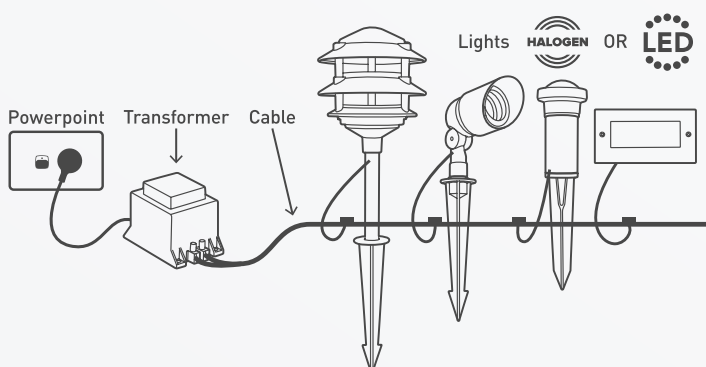
DIY STEP 3

CHOOSE A CABLE

The selection chart on the HPM cable range packaging will help you determine the best cable for your installation



INSTALLATION EXAMPLE



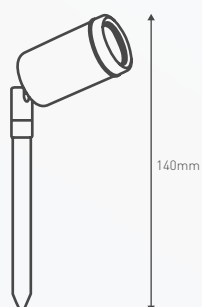
***IMPORTANT:**

- For a 60VA transformer you can use up to 60W of halogen lamps or 30W of LED lamps.
- If mixing halogen and LED globes then follow equation below to determine the right size transformer:
 $(\text{Number of LED globes} \times \text{wattage} \times 2) + (\text{Number of halogen globes} \times \text{wattage}) = \text{total wattage of required transformer}$
- Always choose a transformer of higher rating than the total load of all lights put together.

A stunning spotlight made from 304 grade stainless steel – which means it's quality, not a painted fakey. Use it to highlight your garden gems. Day or night, it will flaunt your eye for style.

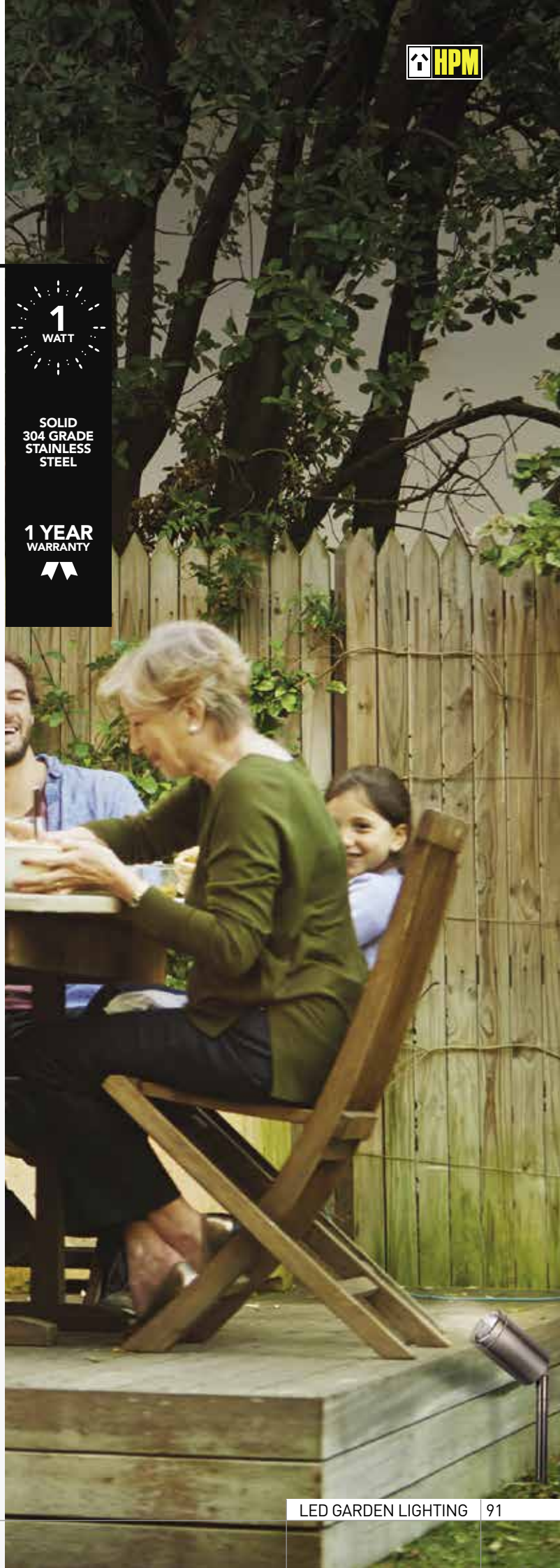


Power	1W
Nominal voltage	12V
Globe type	LED
Construction	Solid 304 grade Stainless Steel
Package contents	1 x light fixtures with 0.3m cable and connector
Requires	12V transformer and cable (not included in pack and sold separately)
Weight	0.5kg
Adjustable head	Yes
Product code	Silver Finish GLLEDSLSS



**SOLID
304 GRADE
STAINLESS
STEEL**

**1 YEAR
WARRANTY**

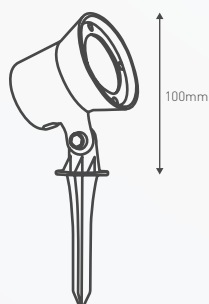


This is another great spotlight for the eco-conscious, and rather handsome too. We wonder what you'll be spotlighting: a favourite shrub, a mosaic feature wall, or secret reading nook.





Power	1W
Nominal voltage	12V
Globe type	LED
Construction	Black die-cast housing
Package contents	1 x Light fixture with 0.3m cable and connector 1 x Durable plastic stake
Requires	12V transformer and cable (not included in pack and sold separately)
Weight	0.320kg
Adjustable head	Yes
Product code	Black Finish GLLEDSLBL



**1 YEAR
WARRANTY**



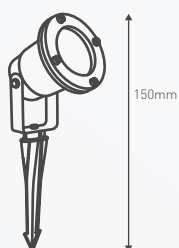
Sprinkle these around your pond and create your own fantasy garden. Tuli is a lightweight spotlight that will not only bring out the green in your garden, but also leave a green footprint with her excellent use of energy.

TIP

Can be used above
and below water



Power	4.5W
Nominal voltage	12V
Globe type	4.5W MR16 LED
Construction	Brass and Nickel plated
Package contents	1 x Light fixture with 2.9m cable and connector 1 x Ground stake 1 x Adjustable "U" clamp with screws 1 x 4.5W MR16 LED lamp
Requires	12V transformer and cable (not included in pack and sold separately)
CRI	80+
Adjustable head	Yes
Light colour	Warm White (3,000K) nominal
Lumens	370 lm
Mounting	Metal bracket / plastic ground stake
Wiring connection	Jaw lock connector
Lifespan	25,000 h
Product code	Black Finish GLLED007



4.5 WATTS

IP68 SUBMERSIBLE

1 YEAR WARRANTY



With its cylindrical contemporary curves and strong regal presence, our Cacto Bollard will light up your path with confidence. Its IP rating of 54 and LED globe mean that Cacto is the ideal pathlight for water resistance, durability and long-lasting performance. The stainless steel finish completes this elegant eye-catcher nicely!



Main applications

..... Pathways and driveways



Power	1W
Nominal voltage	12V
Globe type	G4 LED lamp
Construction	304 Grade Stainless Steel
Package contents	1 x Bollard with 0.3m cable and connector 1 x Ground stake 1 x G4 LED lamp
Requires	12V transformer and cable (not included in pack and sold separately)
Light colour	Warm White (2,700K) nominal
Lumens	100 lm
Mounting	Plastic ground stake
Wiring connection	Jaw lock connection
Lifespan	6,000 h
Product code	Silver finish RGLED001



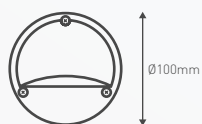
Replaceable G4 LED lamp



A classic, matt black D.I.Y round wall light. Echoing marine style design, it's great for those who find straight lines boring. Add them to landscaped areas and driveways for visibility and safety.



Power	0.5W (per light)	
Nominal voltage	12V	
Globe type	LED lamp	
Construction	Aluminium and glass	
Package contents	2 x LED round wall lights with 0.3m cable and connector	
Requires	12V transformer and cable (not included in pack and sold separately)	
Weight	0.5kg	
Product code	Matt Black finish	RGLBW2



0.5
WATTS
PER LIGHT

IP44
WEATHERPROOF

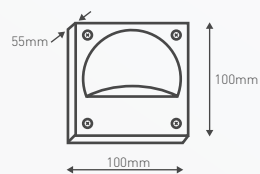
1 YEAR
WARRANTY



With a peeping eyelid style design, this 12V wall light creates an interesting light spread in a downward direction. Line a few up along exterior walls for directional light and atmosphere.



Power	0.5W
Nominal voltage	12V
Globe type	LED lamp
Construction	Aluminium and glass
Package contents	1 x LED square wall light with 0.3m cable and connector
Requires	12V transformer and cable (not included in pack and sold separately)
Weight	0.268kg
Product code	Satin Silver finish RGLSSW1



0.5 WATTS

IP44 WEATHERPROOF

1 YEAR WARRANTY



12V TRANSFORMERS

When installing 12V garden lights, a transformer is required to reduce the 240V mains voltage to the extra low voltage (12V) used by HPM D.I.Y. garden lights. Transformer selection is simple – just add up the total wattage of the garden lights in your installation and choose the next highest rating for your transformer.

For example, 10W light + 20W light + 10W light + 10W light = 50W.



60W



105W



150W

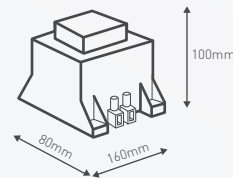


200W

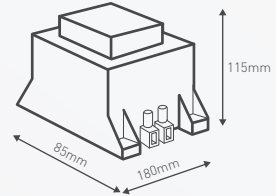
UP TO
200
WATTS

Maximum wattage	60W 105W 150W 200W
Maximum load	60VA - 200VA models
Nominal voltage	12V
Resetting thermal overload protection	Yes
Product code	60W RGLTR60 (IP56) 105W RGLTR105 (IP56) 150W RGL11 (IP56) 200W RGLTR220 (IP56)

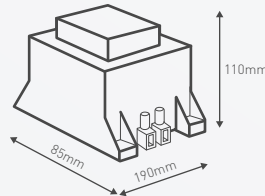
RGLTR60



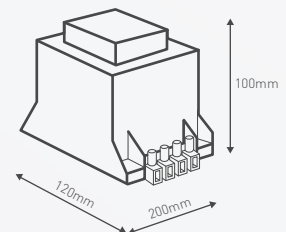
RGLTR105



RGL11



RGLTR220



12V TRANSFORMERS WITH INTEGRATED TIMERS & SENSORS

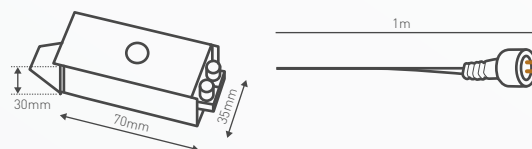
TRANSFORMER WITH SENSOR

Our HPM 12V Dusk to Dawn Timer with Sensor will automatically switch on garden lights at dusk and switch them off at dawn. Enjoy an easy and safe installation.



TRANSFORMER WITH SENSOR

Maximum wattage	150W
Nominal voltage	12V
Weatherproof rating	IP44
Automatic switch	Yes
UV Resistant	Yes
Weight	0.203kg
Colour	Black
Product code	DGLS150



GARDEN LIGHTING CABLES AND TRANSFORMERS CONFIGURATION CHART

IMPORTANT INFORMATION

THE TOTAL WATTAGE OF GARDEN LIGHTING MUST NOT EXCEED THE MAXIMUM WATTAGE OF THE TRANSFORMER



RANGE	PRODUCT CODE
-------	--------------

Outdoor transformers



RGLTR60
RGLTR105
RGL11
RGLTR220

RANGE	PRODUCT CODE
-------	--------------

Transformers with integrated timers and sensors



DGLS150

RANGE	PRODUCT CODE
-------	--------------

Cables



RGL8
RGLHSC15
RGL9
RGLCL21/30

RANGE	PRODUCT CODE
-------	--------------

Cable connector



CDGLCC4

MAXIMUM WATTAGE	IP RATING	COMMENTS
60W	IP56	Featured with resetting thermal overload protection which shuts down the system if overheated. Restart when it gets cool.
105W		
150W		
220W		

MAXIMUM WATTAGE	AUTOMATED SWITCH	UV RESISTANT	IP RATING	INSTALLATION	COMMENTS
150W	No	Yes	IP44	Should be installed between the transformer and the lights	Can be used with any 12V garden light system. Locate the sensor in a relatively sunny area to allow the photo-electric sensor to work.

UTILISATION	LENGTH	COPPER THICKNESS	NO. OF CORES	COMMENTS
Standard Duty	10m	1.3mm ²	2	Standard utilisation
Standard Duty	15m	0.5mm ²		For use with all HPM LED Deck & Step lights
Standard Duty	20m	1.3mm ²		Standard utilisation
Heavy Duty	30m	2.08mm ²		Recommended for high wattage loads

PACK	COMMENTS
4 Connectors	Join extra low voltage cables together. Simply insert the cable into the connector and twist together. These connectors contain a weatherproof sealant so no tape is required.

Choose from a range of garden cables to suit your needs:

narrow, standard duty, heavy duty.

Determine the location of your garden lights and the position of your transformer. When extra low voltage is run through the cable over a long distance energy is lost. This is called voltage drop. If the voltage drops too much, your appliance will not work efficiently. See selection table below:

PRODUCT CODE	TOTAL WATTAGE OF YOUR GARDEN LIGHTS				
CABLE TYPE REQUIRED	10W	20W	30W	40W	50W
Heavy Duty	60m	30m	20m	15m	10m
Standard Duty	35m	20m	10m	8m	30m



Length	10m
Wire gauge	16 AWG, 2 core cable
Copper thickness	1.3mm ²
Utilisation	Standard duty, narrow places
Colour	Black
Construction	Plastic and copper
Product code	RGL8

Length	20m
Wire gauge	16 AWG, 2 core cable
Copper thickness	1.3mm ²
Utilisation	Standard duty, narrow places
Colour	Black
Construction	Plastic and copper
Product code	RGL9

Length	30m
Copper thickness	2.1mm ²
Utilisation	Heavy duty
Colour	Black
Construction	Plastic and copper
Product code	RGLCL21/30

Length	15m
Copper thickness	0.5mm ²
Utilisation	Standard duty, narrow
Colour	Black
Construction	Plastic and copper
Product code	RGLHSC15



ACCESSORIES

SOLAR RECHARGEABLE BATTERIES

HPM solar rechargeable batteries are suitable for use with HPM solar garden lights. This handy 4-pack is a reliable source of power for keeping your lights on.

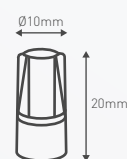


BATTERIES

Current	600mAh
Construction	NiCD Nickel-cadmium
Colour	Yellow
Package contents	4 x Solar rechargeable batteries
Battery type	AA
Product code	DSLBAT4

CABLE CONNECTORS

Cable connectors join your extra low voltage cables together. You simply insert the cables into the connector and twist together. These connectors contain a weatherproof sealant so no tape is required.



CABLE CONNECTORS

Nominal voltage	12V
Construction	Plastic
Colour	Black
Product code	CDGLCC4



A brand of **legrand**



Member of:



Disclaimer: The information provided in this document is intended for informational purposes only. It has been prepared and reviewed with all reasonable care and is believed to be correct at the time of printing. Legrand Australia and New Zealand may also make improvements and/or changes to the products, pricing and/or programs described in this brochure at any time without notice.

Legrand Australia

Building 4 Nexus Industry Park
43-47 Lyn Pde Prestons NSW 2170
1300 369 777
www.hpm.com.au

Legrand New Zealand

106-124 Target Road Glenfield
Auckland 0627 New Zealand
0800 476 009
www.hpm.co.nz